

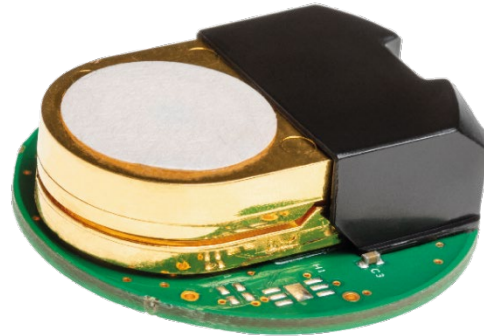
## **AN006: CO<sub>2</sub> Sensor Analogue Output Voltage**

### **ABSTRACT**

GSS sensors are designed to measure CO<sub>2</sub> levels in variety of applications.

Typically, measurement data is accessed through either a UART or I<sup>2</sup>C digital interface. In some circumstances, this interface mode may not be suitable.

In such cases, some GSS sensors come with a true analogue CO<sub>2</sub> level indicator output, where the analogue signal level voltage is directly proportional to the CO<sub>2</sub> gas level.



This application note describes how the GSS voltage level indicator functions and how to ensure the user maximises the performance of the sensor using this indication method.

## **AN006: CO<sub>2</sub> Sensor Analogue Output Voltage**

### **TABLE OF CONTENTS**

|   |    |
|---|----|
| ABSTRACT .....  | 1  |
| METHOD OF OPERATION .....   | 3  |
| ANALOGUE CO <sub>2</sub> SIGNAL LEVEL .....                       | 4  |
| CO <sub>2</sub> ANALOGUE OUTPUT PERFORMANCE CHARACTERISTICS ..... | 5  |
| OUTPUT LINEARITY .....  | 6  |
| IMPORTANT NOTICE .....  | 8  |
| ADDRESS .....   | 9  |
| REVISION HISTORY .....  | 10 |

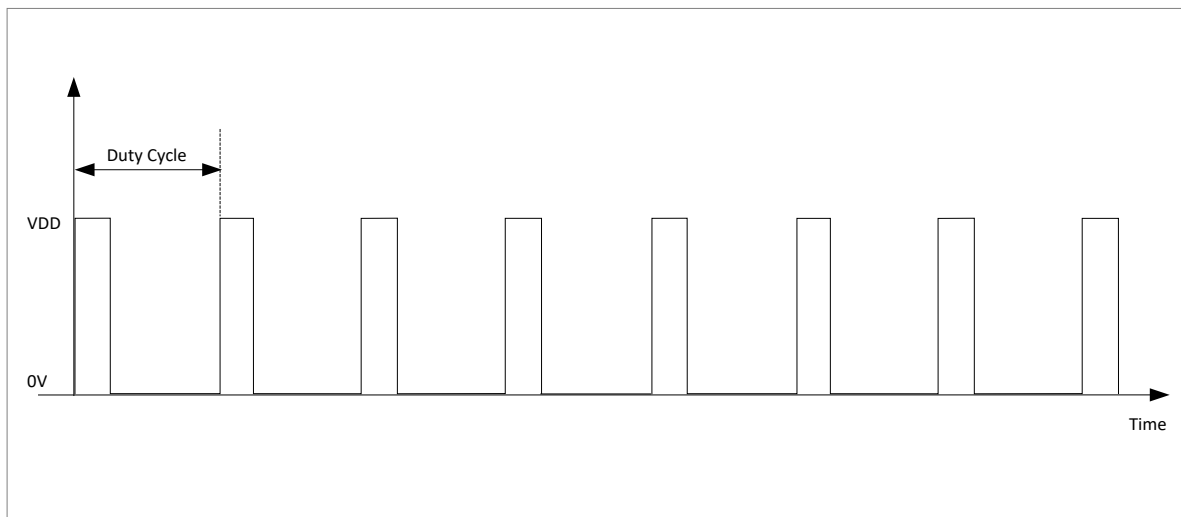
## AN006: CO<sub>2</sub> Sensor Analogue Output Voltage

### METHOD OF OPERATION

The user can specify an analogue CO<sub>2</sub> level indication option on a number of GSS CO<sub>2</sub> sensors. If specified as an option on the sensor, the output voltage level will be directly proportional to the measured gas level.

The on-board sensor microprocessor generates a PWM output with a duty cycle proportional to the CO<sub>2</sub> signal level. There are a number of methods to use the PWM output. In some circumstances, the digital PWM signal can be used directly. This method is not supported by GSS sensors as it offers little advantage over and above the UART or I<sup>2</sup>C interface.

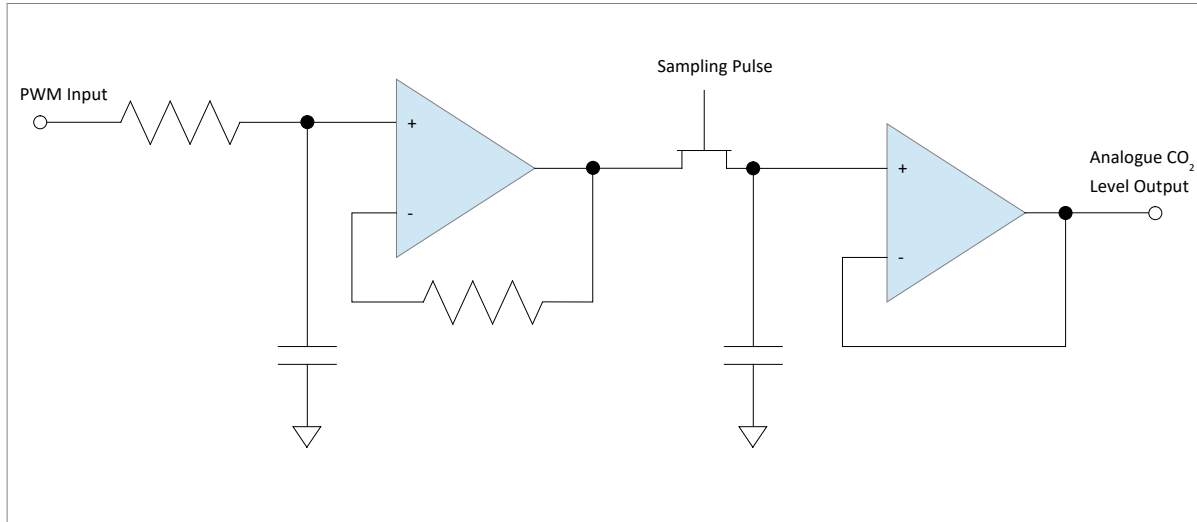
All GSS sensors provide a genuine analogue signal level output. The PWM signal could be filtered using a simple RC network, or filtered and buffered before being made available to the user. In normal circumstances, in order to maintain a constant output signal, the PWM signal must be run continuously, consuming unnecessary power.



However, in all GSS sensors where there is an analogue output CO<sub>2</sub> signal level option, GSS has chosen to implement a more sophisticated analogue output option, that saves power and does not need any external components.

The on-board PWM output is switched on in synchronisation with the sampling period. The digital PWM signal is filtered to create an analogue output, and the signal sampled by the sample and hold circuit. Once the signal is sampled by the sample and hold circuit, the PWM output from the microprocessor is stopped. This reduces noise in the sensor increasing measurement accuracy, and dramatically reduces sensor power consumption. Power consumption can be reduced by as much as 50% compared to a continuously running PWM output.

**AN006: CO<sub>2</sub> Sensor Analogue Output Voltage**



**ANALOGUE CO<sub>2</sub> SIGNAL LEVEL**

The voltage range of the CO<sub>2</sub> level output from the sensor is determined by the sensor supply voltage. The sensor supply voltage defines the PWM signal levels. All voltage outputs are relative to the sensor input supply voltage. For example, if the supply voltage is 3.4V, then the full-scale output from the voltage pin will also be 3.4V, the half scale voltage will be 1.7V etc.

To convert a voltage into a CO<sub>2</sub> concentration, use the following formula.

$$Concentration (ppm) = \frac{V_{out}}{V_{supply}} * Full\ Scale\ Range\ of\ Sensor (ppm)$$

## AN006: CO<sub>2</sub> Sensor Analogue Output Voltage

### CO<sub>2</sub> ANALOGUE OUTPUT PERFORMANCE CHARACTERISTICS

| PARAMETER                           | SYMBOL          | TEST CONDITIONS                               | MIN | TYP  | MAX | UNIT |
|-------------------------------------|-----------------|---|-----|------|-----|------|
| Output voltage range <sup>1,2</sup> | ANALOGUE_OUTPUT |   | 0   |      | VDD | V    |
| Repeatability                       |                 | @25°C   |     | ±0.1 |     | %    |
| Response time                       |                 | From 0ppm to T <sub>90</sub> default settings |     | 0.5  |     | secs |

#### Notes

The output CO<sub>2</sub> accuracy is degraded where ANALOGUE\_OUTPUT <50mV, or >VDD-50mV  
ANALOGUE\_OUTPUT accuracy specified with a resistive loading @ >100Kohm

The CO<sub>2</sub> sensor voltage output pin has an internal resistance of approximately 150Ω. The internal capacitance between the voltage output pin and ground is 220nF. This gives the output a single order high frequency roll-off at about 4.8kHz.

To avoid loading issues affecting the measurement, it is essential to ensure the load connected to the voltage output pin is greater than 10kΩ and preferably greater than 100kΩ. A low value external load resistance will introduce reading errors as illustrated in the table below.

| EXTERNAL LOAD RESISTANCE (OHMS) | CO <sub>2</sub> MEASUREMENT ERROR |
|---------------------------------|-----------------------------------|
| 4k7                             | 3%                                |
| 10k                             | 1.5%                              |
| 100k                            | 0.1%                              |
| 500k                            | 0.03%                             |

The CO<sub>2</sub> analogue signal level accuracy is also affected by op-amp DC offsets and op-amp signal headroom. At low CO<sub>2</sub> concentrations, the DC offset of approximately 14mV will increasingly affect the signal level accuracy. At high CO<sub>2</sub> concentrations, the CO<sub>2</sub> analogue signal level is unable to generate a voltage of more than VDD-50mV. The user is advised to take care when interpreting CO<sub>2</sub> analogue signals below 50mV and or where the signal level is >VDD-50mV.

## **AN006: CO<sub>2</sub> Sensor Analogue Output Voltage**

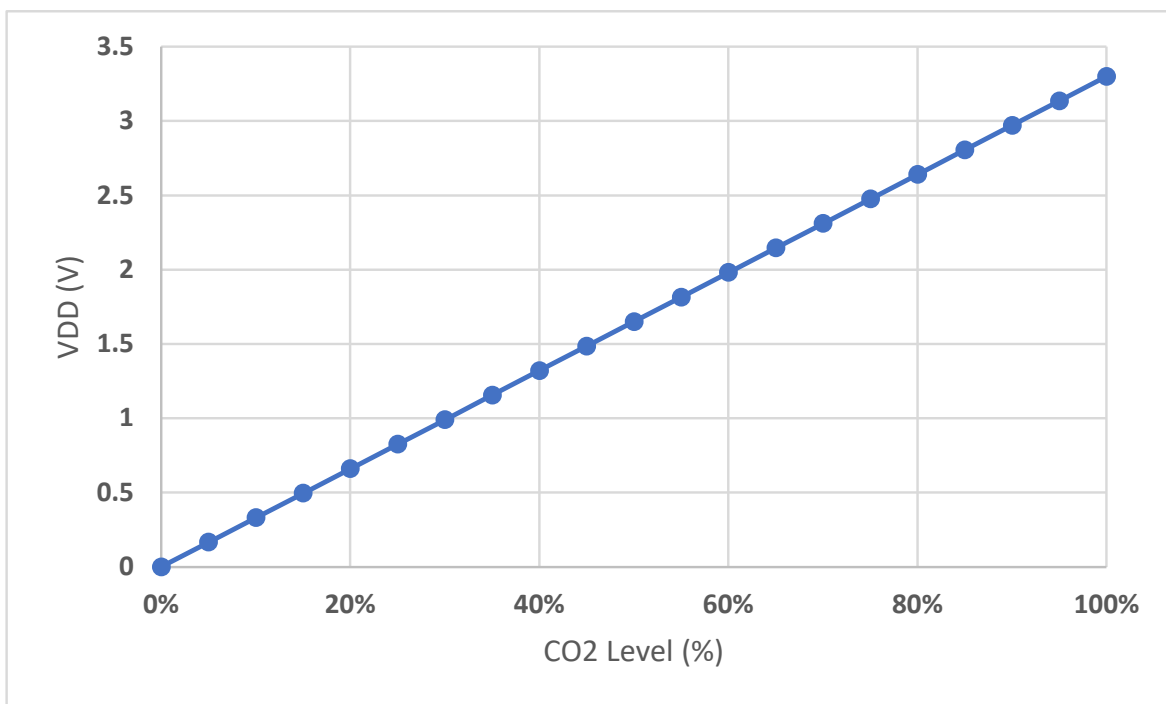
Although great care has been taken to minimise sensor noise, there may be some high frequency noise present on the analogue voltage output. The typical noise present on the voltage output is as follows with the voltage output at half full scale:

140 $\mu$ Vrms measured in a 20kHz bandwidth.  
450 $\mu$ Vrms measured in a 10MHz bandwidth.

In a 10MHz bandwidth, the highest noise voltage amplitude is at least 70dB below the desired DC output voltage.

### **OUTPUT LINEARITY**

The output voltage is linearly dependent on the CO<sub>2</sub> concentration measured by the sensor. However, as noted in the CO<sub>2</sub> analogue output performance characteristics, the accuracy of the reading will be compromised close to zero and near to full scale.



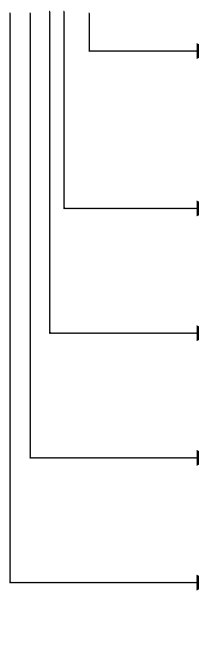
## AN006: CO<sub>2</sub> Sensor Analogue Output Voltage

### SPECIFYING A VOLTAGE OUTPUT OPTION

The ordering guide for the CozIR<sup>®</sup>-A is shown below, but an analogue CO<sub>2</sub> signal output is available on several other GSS sensors. Refer to the specific sensor data sheet ordering information to determine if the option is available.

The full-scale analogue output signal range always matches the selected measurement range of the sensor. This means when the output signal level is full scale, the CO<sub>2</sub> level will be at full scale.

### COZIR-A-X-XXX-X



|          |                                      |
|----------|--------------------------------------|
| <b>X</b> | <b>Measurement Range</b>             |
| 2000     | 2,000ppm                             |
| 5000     | 5,000ppm                             |
| 1        | 10,000ppm (1%)                       |
| <b>X</b> | <b>Temperature and RH</b>            |
| H        | Included                             |
| Blank    | Not included                         |
| <b>X</b> | <b>CO<sub>2</sub> Voltage Output</b> |
| V        | Included                             |
| Blank    | Not included                         |
| <b>X</b> | <b>Temperature Range</b>             |
| E        | Extended, -25 to 55°C                |
| Blank    | Standard                             |
| <b>X</b> | <b>Casing</b>                        |
| U        | Uncased                              |
| X        | Cased                                |

### AN006: CO<sub>2</sub> Sensor Analogue Output Voltage

#### IMPORTANT NOTICE

Gas Sensing Solutions Ltd. (GSS) products and services are sold subject to GSS's terms and conditions of sale, delivery and payment supplied at the time of order acknowledgement. GSS warrants performance of its products to the specifications in effect at the date of shipment. GSS reserves the right to make changes to its products and specifications or to discontinue any product or service without notice.

Customers should therefore obtain the latest version of relevant information from GSS to verify that the information is current. Testing and other quality control techniques are utilised to the extent GSS deems necessary to support its warranty. Specific testing of all parameters of each device is not necessarily performed unless required by law or regulation. In order to minimise risks associated with customer applications, the customer must use adequate design and operating safeguards to minimise inherent or procedural hazards. GSS is not liable for applications assistance or customer product design. The customer is solely responsible for its selection and use of GSS products. GSS is not liable for such selection or use nor for use of any circuitry other than circuitry entirely embodied in a GSS product.

GSS products are not intended for use in life support systems, appliances, nuclear or systems where malfunction can reasonably be expected to result in personal injury, death or severe property or environmental damage. Any use of products by the customer for such purposes is at the customer's own risk.

GSS does not grant any licence (express or implied) under any patent right, copyright, mask work right or other intellectual property right of GSS covering or relating to any combination, machine, or process in which its products or services might be or are used. Any provision or publication of any third party's products or services does not constitute GSS's approval, licence, warranty, or endorsement thereof. Any third party trade-marks contained in this document belong to the respective third-party owner.

Reproduction of information from GSS datasheets is permissible only if reproduction is without alteration and is accompanied by all associated copyright, proprietary and other notices (including this notice) and conditions. GSS is not liable for any unauthorised alteration of such information or for any reliance placed thereon.

Any representations made, warranties given, and/or liabilities accepted by any person which differ from those contained in this datasheet or in GSS's standard terms and conditions of sale, delivery and payment are made, given and/or accepted at that person's own risk. GSS is not liable for any such representations, warranties, or liabilities or for any reliance placed thereon by any person.



## **AN006: CO<sub>2</sub> Sensor Analogue Output Voltage**

### **ADDRESS**

Gas Sensing Solutions Ltd.  
Grayshill Road  
Cumbernauld  
G68 9HQ  
United Kingdom

## **AN006: CO<sub>2</sub> Sensor Analogue Output Voltage**

### **REVISION HISTORY**

| <b>DATE</b> | <b>RELEASE</b> | <b>DESCRIPTION OF CHANGES</b> | <b>PAGES</b> |
|-------------|----------------|-------------------------------|--------------|
| 13/05/2020  | 1.0            | First revision                | All          |
| 18/05/2020  | 1.1            | Re-write                      | All          |