

## Flexible Low Power CO<sub>2</sub> Sensor

### DESCRIPTION

The CozIR®-A is a low power NDIR CO<sub>2</sub> sensor using state-of-the-art solid-state LED optical technology. The low power LEDs are manufactured in-house, giving GSS complete control of the CO<sub>2</sub> sensor signal chain.

The CozIR®-A's low power consumption is compatible with battery powered operation, allowing the sensor to be used in a wide variety of applications including wirelessly connected equipment.

The sensor is available in multiple versions with several user selectable options, including temperature and RH measurement capability.

The CozIR®-A also features a built-in auto-zero function that maintains CO<sub>2</sub> measurement accuracy over the lifetime of the product.

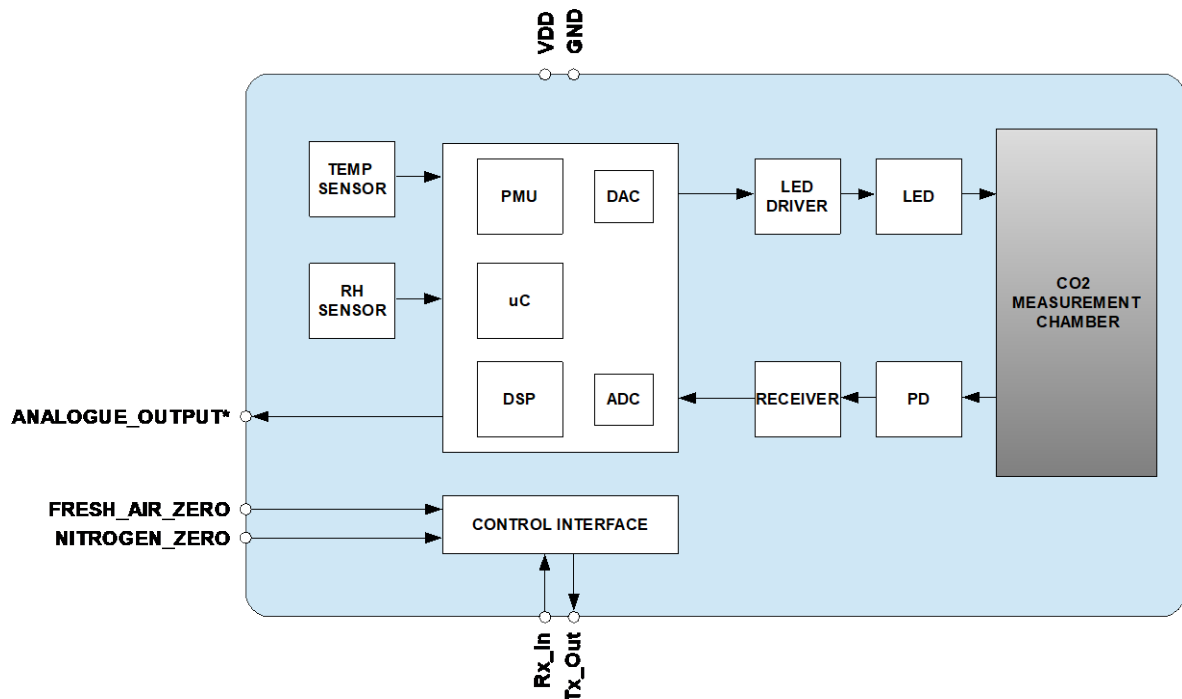
### FEATURES

- Low power CO<sub>2</sub> sensor
- 30ppm typical measurement accuracy
- Solid state NDIR LED optical technology
- UART control and data interface
- Built-in auto-zeroing
- Optional Temperature and Relative Humidity sensing
- Optional Analogue (Voltage) output

### APPLICATIONS

- Agriculture
- Livestock farming
- Healthcare
- Safety
- Aerospace
- Food packaging
- Food storage and transportation

### BLOCK DIAGRAM



T, RH and \*Optional

**Flexible Low Power CO<sub>2</sub> Sensor**

**TABLE OF CONTENTS**

DESCRIPTION..... 1

FEATURES..... 1

APPLICATIONS..... 1

BLOCK DIAGRAM..... 1

ORDERING INFORMATION..... 4

PACKAGE DRAWING: CozIR<sup>®</sup>-A – Cased ..... 5

PACKAGE DRAWING: CozIR<sup>®</sup>-A – Uncased ..... 6

PIN-OUT DESCRIPTION: CozIR<sup>®</sup>-A (Both Types) ..... 7

ABSOLUTE MAXIMUM RATINGS ..... 8

RECOMMENDED OPERATING CONDITIONS..... 8

PERFORMANCE CHARACTERISTICS ..... 9

HUMIDTY PERFORMANCE CHARACTERISTICS - CozIR<sup>®</sup>-A Option ..... 10

TEMPERATURE PERFORMANCE CHARACTERISTICS - CozIR<sup>®</sup>-A Option..... 10

CO<sub>2</sub> ANALOGUE OUTPUT PERFORMANCE CHARACTERISTICS – CozIR<sup>®</sup>-A Option ..... 10

ELECTRICAL CHARACTERISTICS ..... 11

POWER CONSUMPTION - CozIR<sup>®</sup>-A..... 11

INTERFACE TIMING – NITROGEN\_ZERO and FRESH\_AIR\_ZERO..... 12

METHOD OF OPERATION..... 13

MODE K0 COMMAND MODE ..... 13

MODE K1 STREAMING MODE ..... 13

MODE K2 POLLING MODE ..... 13

DIGITAL FILTER ..... 14

ZERO POINT SETTING..... 15

ZERO IN A KNOWN GAS CONCENTRATION..... 15

ZERO IN NITROGEN..... 15

ZERO IN FRESH AIR ..... 15

ZERO POINT ADJUSTMENT ..... 16

AUTO-ZERO FUNCTION..... 16

AUTO-ZERO INTERVALS ..... 16

AUTO-ZERO SETTINGS ..... 16

ALTITUDE COMPENSATION..... 17

ALTITUDE COMPENSATION TABLE ..... 17

CONTROL INTERFACE ..... 18

CONTROL INTERFACE TIMING - UART MODE ..... 18

UART COMMAND PROTOCOL..... 18

UART OPERATION..... 18

UART INTERFACE SUMMARY ..... 19

CO<sub>2</sub> LEVEL MEASUREMENT VALUE - Z INFORMATION (0x5A) ..... 21

CO<sub>2</sub> LEVEL MEASUREMENT VALUE - z INFORMATION (0x7A)..... 21

‘.’ COMMAND (0x2E) ..... 21

TEMPERATURE MEASUREMENT VALUE - CozIR<sup>®</sup>-A Option..... 22

HUMIDITY MEASUREMENT VALUE - CozIR<sup>®</sup>-A Option ..... 22

MEASUREMENT DATA OUTPUTS ..... 23

## Flexible Low Power CO<sub>2</sub> Sensor

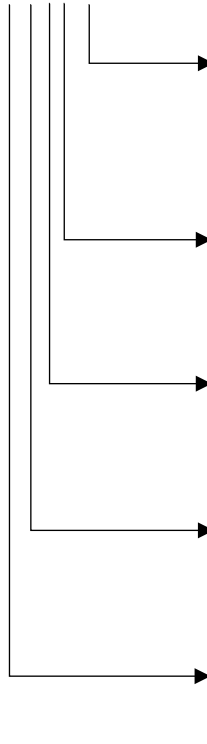
---

|                                                                |    |
|----------------------------------------------------------------|----|
| M COMMAND .....                                                | 24 |
| Q COMMAND .....                                                | 24 |
| K COMMAND.....                                                 | 24 |
| K COMMAND (0x4B) .....                                         | 24 |
| DIGITAL FILTER COMMANDS .....                                  | 26 |
| A COMMAND (0x41) .....                                         | 26 |
| a COMMAND (0x61) .....                                         | 26 |
| ZERO POINT SETTING COMMANDS.....                               | 26 |
| F COMMAND (0x46) .....                                         | 27 |
| G COMMAND (0x47).....                                          | 27 |
| U COMMAND (0x55).....                                          | 27 |
| u COMMAND (0x75) .....                                         | 27 |
| X COMMAND (0x58) .....                                         | 28 |
| P COMMAND - CO <sub>2</sub> Level for Auto-Zeroing.....        | 28 |
| P COMMAND – CO <sub>2</sub> Level for Zero-Point Setting ..... | 28 |
| AUTO-ZERO INTERVALS .....                                      | 29 |
| @ COMMAND (0x40).....                                          | 29 |
| ALTITUDE COMPENSATION.....                                     | 30 |
| S COMMAND (0x53) .....                                         | 30 |
| s COMMAND (0x73).....                                          | 30 |
| SERIAL NUMBER AND FIRMWARE VERSION .....                       | 30 |
| Y COMMAND (0x59) .....                                         | 31 |
| CONNECTION DIAGRAM FOR UART INTERFACE .....                    | 32 |
| IMPORTANT NOTICE.....                                          | 33 |
| ADDRESS .....                                                  | 33 |

## Flexible Low Power CO<sub>2</sub> Sensor

### ORDERING INFORMATION

#### COZIR-A-X-XXX-X



|          |                                      |
|----------|--------------------------------------|
| <b>X</b> | <b>Measurement Range</b>             |
| 2000     | 2,000ppm                             |
| 5000     | 5,000ppm                             |
| 1        | 10,000ppm (1%)                       |
| <b>X</b> | <b>Temperature and RH</b>            |
| H        | Included                             |
| Blank    | Not included                         |
| <b>X</b> | <b>CO<sub>2</sub> Voltage Output</b> |
| V        | Included                             |
| Blank    | Not included                         |
| <b>X</b> | <b>Temperature Range</b>             |
| E        | Extended, -25 to 55°C                |
| Blank    | Standard                             |
| <b>X</b> | <b>Casing</b>                        |
| U        | Uncased                              |
| X        | Cased                                |

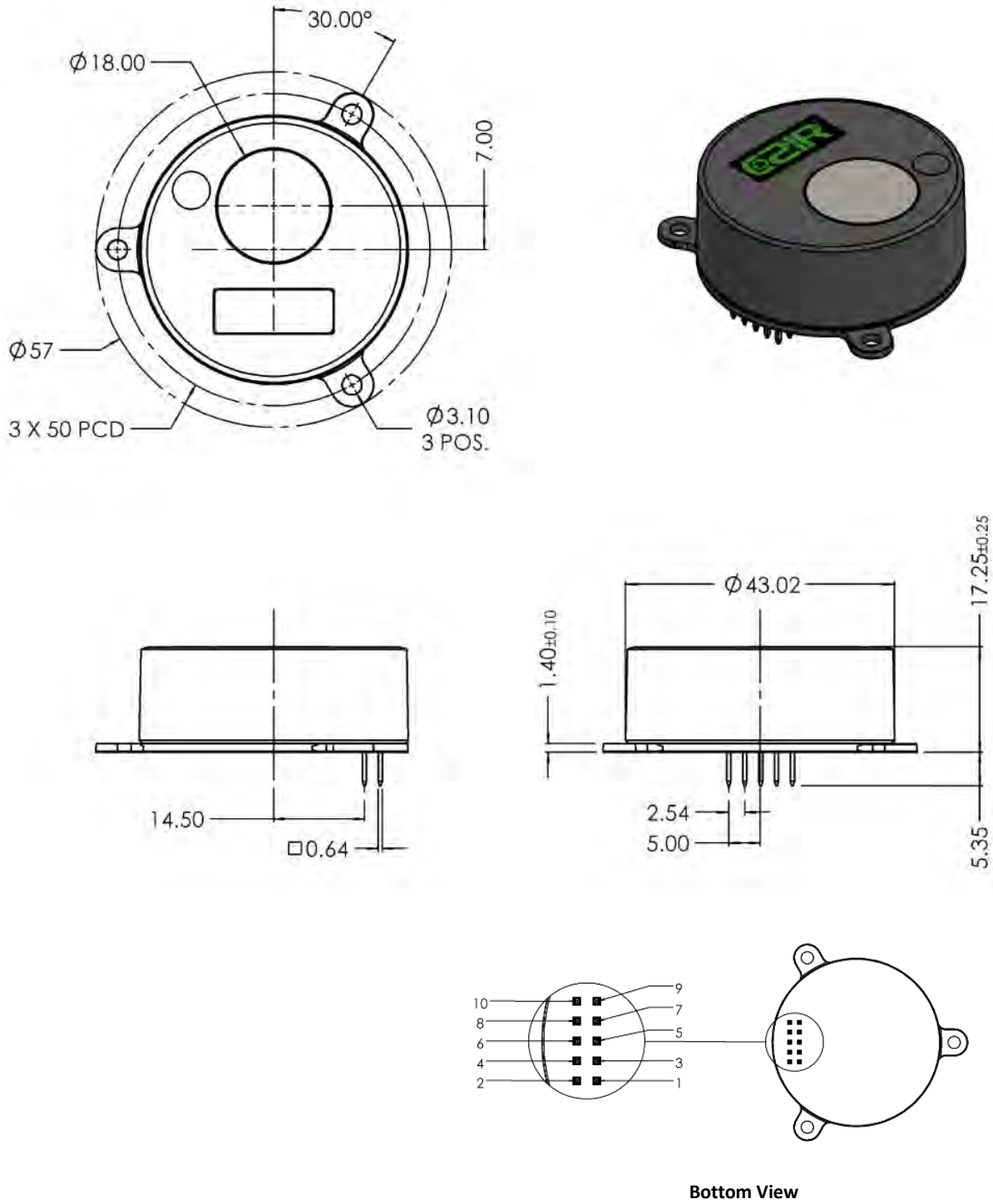
#### Notes:

1. Sensors are shipped individually

See separate data sheet for CozIR®-A evaluation kit options

**Flexible Low Power CO<sub>2</sub> Sensor**

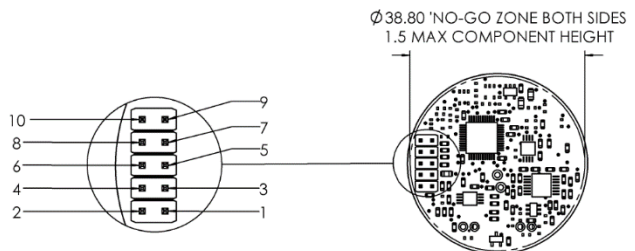
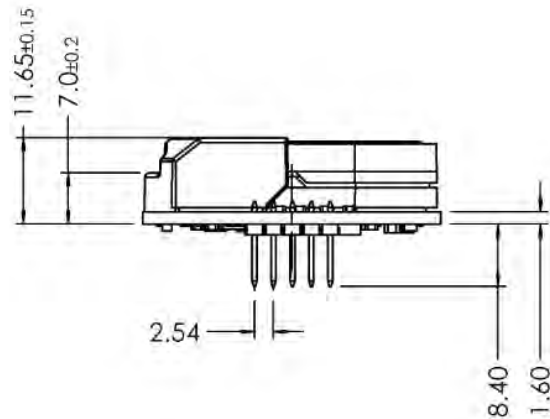
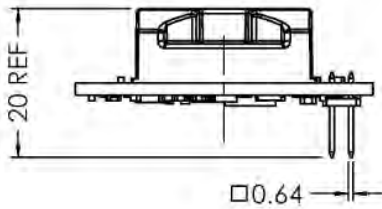
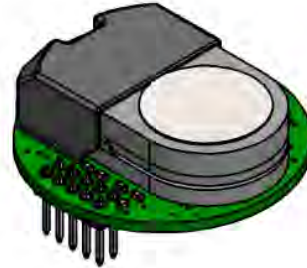
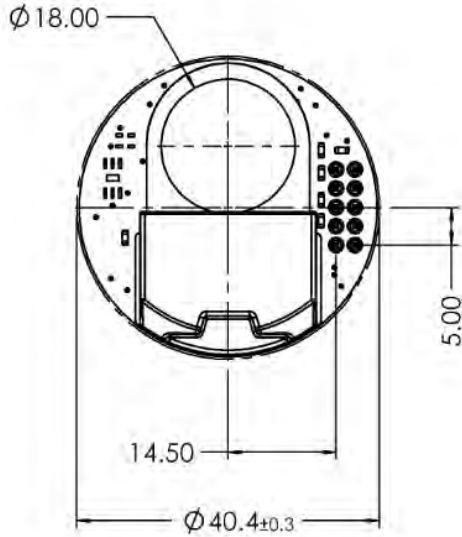
**PACKAGE DRAWING: CozIR®-A – Cased**



Weight = ~6g

**Flexible Low Power CO<sub>2</sub> Sensor**

**PACKAGE DRAWING: CozIR®-A – Uncased**



**Bottom View**

Weight = ~6g

## Flexible Low Power CO<sub>2</sub> Sensor

---

### PIN-OUT DESCRIPTION: CozIR®-A (Both Types)

| PIN | NAME            | TYPE            | DESCRIPTION                                                |
|-----|-----------------|-----------------|------------------------------------------------------------|
| 1   | GND             | Supply          | Sensor ground                                              |
| 2   | NC              | Unused          | Do Not Connect                                             |
| 3   | VDD             | Supply          | Sensor supply voltage                                      |
| 4   | GND             | Supply          | Sensor ground                                              |
| 5   | Rx_In           | Digital Input   | UART Receive Input                                         |
| 6   | GND             | Supply          | Sensor ground                                              |
| 7   | Tx_Out          | Digital Output  | UART Transmit Output                                       |
| 8   | NITROGEN_ZERO   | Digital Input   | Set low to initiate a Zero in Nitrogen Zero Setting Cycle  |
| 9   | ANALOGUE_OUTPUT | Analogue Output | CO <sub>2</sub> Level (Optional)                           |
| 10  | FRESH_AIR_ZERO  | Digital Input   | Set low to initiate a Zero in Fresh Air Zero Setting Cycle |

## Flexible Low Power CO<sub>2</sub> Sensor

---

### ABSOLUTE MAXIMUM RATINGS

Absolute Maximum Ratings are stress ratings only. Permanent damage to the CozIR®-A may be caused by continuously operating at or beyond these limits. The CozIR®-A functional operating limits and guaranteed performance specifications are given at the test conditions specified.



ESD Sensitive Device. This sensor uses ESD sensitive components. It is therefore generically susceptible to damage from excessive static voltages. Proper ESD precautions must be taken during handling and storage of this device.

| CONDITION                                     | MIN       | MAX   |
|-----------------------------------------------|-----------|-------|
| Supply Voltages                               | -0.3V     | +6.0V |
| Voltage Range Digital Inputs                  | GND -0.3V | 5V    |
| Operating Temperature Range (T <sub>a</sub> ) |           |       |
| - Standard                                    | 0°C       | +50°C |
| - Extended                                    | -25°C     | +55°C |
| Storage Temperature Range                     | -40°C     | +70°C |
| Humidity Range (RH), Non-Condensing           | 0         | 95%   |
| Operating Ambient Pressure Range              | 500mbar   | 2bar  |

### RECOMMENDED OPERATING CONDITIONS

| PARAMETER | SYMBOL | MIN  | TYP | MAX | UNIT |
|-----------|--------|------|-----|-----|------|
| Supply    | VDD    | 3.25 | 3.3 | 5.5 | V    |
| Ground    | GND    |      | 0   |     | V    |



## Flexible Low Power CO<sub>2</sub> Sensor

**PERFORMANCE CHARACTERISTICS**
**Test Conditions Unless Otherwise Specified**

VDD = 3.3V, GND = 0V. CO<sub>2</sub> = 450ppm, RH = 0% non-condensing, T= 25°C, Pressure = 1013mbar

| PARAMETER                                | SYMBOL | TEST CONDITIONS                                                                                                | MIN | TYP           | MAX           | UNIT |
|------------------------------------------|--------|----------------------------------------------------------------------------------------------------------------|-----|---------------|---------------|------|
| CO <sub>2</sub> measurement range        |        |                                                                                                                | 0   |               | 2,000         | ppm  |
|                                          |        |                                                                                                                | 0   |               | 5,000         | ppm  |
|                                          |        |                                                                                                                | 0   |               | 10,000        | ppm  |
| Accuracy                                 |        | @25°C                                                                                                          |     | ±(30 +3% rdg) | ±(50 +3% rdg) | ppm  |
|                                          |        | 0°C to +55°C, after zeroing @25°C                                                                              |     | ±(30 +3% rdg) |               | ppm  |
| CO <sub>2</sub> RMS Noise                |        |                                                                                                                |     | -             |               | ppm  |
| Time to Valid Measurement After Power-On |        | Dependent on digital filter setting                                                                            | 0.3 | 3.3           | 6.5           | secs |
| Response Time                            |        | From 0ppm to T <sub>90</sub> (half full-scale), default settings, limited by diffusion through membrane window |     | 30            |               | secs |
| Repeatability                            |        |                                                                                                                |     | ±(30 +3% rdg) |               | ppm  |
| Pressure Dependence                      |        | Per mbar deviation from 1013mbar, 950-1050mbar                                                                 |     | 0.14          |               | %    |
| Current Consumption                      |        | Peak current when sampling                                                                                     |     | 15            |               | mA   |
|                                          |        | Peak at turn-on                                                                                                |     | 40            |               | mA   |
|                                          |        | SLEEP Mode                                                                                                     |     | 0.01          |               | mA   |

## Flexible Low Power CO<sub>2</sub> Sensor

**HUMIDITY PERFORMANCE CHARACTERISTICS - CozIR®-A Option**

| PARAMETER                  | SYMBOL | TEST CONDITIONS | MIN | TYP  | MAX | UNIT    |
|----------------------------|--------|-----------------|-----|------|-----|---------|
| Humidity measurement range |        |                 | 0   |      | 100 | %       |
| Accuracy                   |        | @25°C           |     | ±3   |     | % RH    |
| Repeatability              |        | @25°C           |     | ±0.1 |     | %       |
| Response time              |        | 0-50%           |     | <8   |     | secs    |
| Accuracy drift             |        |                 |     | 0.25 |     | % RH/Yr |

**TEMPERATURE PERFORMANCE CHARACTERISTICS - CozIR®-A Option**

| PARAMETER                     | SYMBOL | TEST CONDITIONS           | MIN | TYP  | MAX | UNIT    |
|-------------------------------|--------|---------------------------|-----|------|-----|---------|
| Temperature measurement range |        |                           | -25 |      | 55  | °C      |
| Accuracy                      |        | 0-50°C                    |     | ±0.5 |     | °C      |
| Repeatability                 |        | @25°C                     |     | ±0.1 |     | %       |
| Response time                 |        | 0-50%, @25°C, filter = 16 |     | >10  |     | s       |
| Accuracy drift                |        |                           |     | 0.02 |     | °C / Yr |

**CO<sub>2</sub> ANALOGUE OUTPUT PERFORMANCE CHARACTERISTICS – CozIR®-A Option**

| PARAMETER                            | SYMBOL          | TEST CONDITIONS                               | MIN | TYP  | MAX | UNIT   |
|--------------------------------------|-----------------|-----------------------------------------------|-----|------|-----|--------|
| Output voltage range <sup>1, 2</sup> | ANALOGUE_OUTPUT |                                               | 0   |      | VDD | V      |
| CO <sub>2</sub> level                |                 | 0-1%, VDD = 3.3V                              |     | 33   |     | uV/ppm |
| Repeatability                        |                 | @25°C                                         |     | ±0.1 |     | %      |
| Response time                        |                 | From 0ppm to T <sub>90</sub> default settings |     | 0.5  |     | secs   |

**Notes**

1. The output CO<sub>2</sub> accuracy is degraded where ANALOGUE\_OUTPUT <50mV, or >VDD-50mV
2. ANALOGUE\_OUTPUT accuracy specified with a resistive loading @ >100Kohm

## Flexible Low Power CO<sub>2</sub> Sensor

**ELECTRICAL CHARACTERISTICS**

| PARAMETER                   | SYMBOL | TEST CONDITIONS        | MIN | TYP | MAX | UNIT |
|-----------------------------|--------|------------------------|-----|-----|-----|------|
| <b>Digital Input/Output</b> |        |                        |     |     |     |      |
| Input HIGH Level            |        |                        | 1.8 |     |     | V    |
| Input LOW Level             |        |                        |     |     | 1.0 | V    |
| Output HIGH Level           |        | I <sub>OH</sub> = +1mA | 2.6 |     | 3.0 | V    |
| Output LOW Level            |        | I <sub>OL</sub> = -1mA |     |     | 0.4 | V    |

**POWER CONSUMPTION - CozIR®-A**

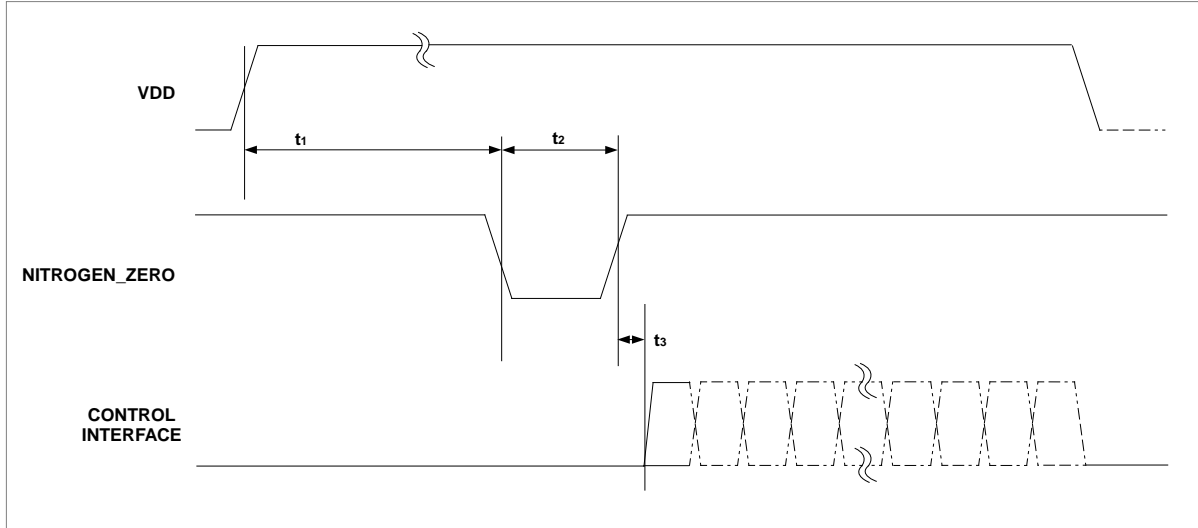
Test Conditions Unless Otherwise Specified

VDD = 3.3V, GND = 0V. CO<sub>2</sub> = 450ppm, RH = 0% non-condensing, T= 25°C, Pressure = 1013mbar

| SETTING                                                      | SYMBOL | TEST CONDITIONS                      | VDD |        | Total Power |
|--------------------------------------------------------------|--------|--------------------------------------|-----|--------|-------------|
|                                                              |        |                                      | V   | I (mA) | mW          |
| OFF                                                          |        | No power applied                     |     | 0      | 0           |
| Active, KO SLEEP mode, no measurement                        |        |                                      | 3.3 | 0.01   | 0.03        |
| Active, K1 mode whilst taking CO <sub>2</sub> 2 measurements |        | Default settings                     | 3.3 | 1      | 3.5         |
| Additional with RH active                                    |        | RH measurement on                    |     | +0.05  | +0.2        |
| Additional with T active                                     |        | Temperature measurement on           |     | +0.05  | +0.2        |
| Additional with CO <sub>2</sub> active                       |        | With analogue CO <sub>2</sub> output |     | +0.02  | +0.1        |

## Flexible Low Power CO<sub>2</sub> Sensor

### INTERFACE TIMING – NITROGEN\_ZERO and FRESH\_AIR\_ZERO



| PARAMETER                       | SYMBOL | MIN                | TYP | MAX | UNIT |
|---------------------------------|--------|--------------------|-----|-----|------|
| Power On to NITROGEN_ZERO Ready | $t_1$  | Time to stable gas |     |     | ms   |
| NITROGEN_ZERO Low Pulse-Width   | $t_2$  | 3                  |     |     | s    |
| Control Interface Setup Time    | $t_3$  | 600                |     |     | ns   |

#### Notes

1. The timing for FRESH\_AIR\_ZERO is identical to NITROGEN\_ZERO
2. Ensure gas concentration is stable ( $t_1$ ) before beginning zeroing process

## **Flexible Low Power CO<sub>2</sub> Sensor**

---

### **METHOD OF OPERATION**

After power is applied to the CozIR<sup>®</sup>-A, the sensor will automatically start to take CO<sub>2</sub> measurements using the Mode 1 default settings, where the sensor is pre-programmed to send CO<sub>2</sub> measurement data at 2 readings per second.

The measurement rate is fixed at 2 readings per second at a fixed 9600 baud rate. The sensor will return the previous CO<sub>2</sub> measurement results if the user requests more frequent measurements.

The CozIR<sup>®</sup>-A family has 3 potential modes of operation.

### **MODE K0 COMMAND MODE**

In this mode, the sensor is in a SLEEP mode, waiting for commands. No measurements are made. There is no latency in command responses. All commands that report measurements or alter the zero-point settings are disabled in Mode 0. Mode 0 is NOT retained after power cycling.

### **MODE K1 STREAMING MODE**

This is the factory default setting. Measurements are reported twice per second. Commands are processed when received, except during measurement activity, so there may be a time delay of up to 10ms in responding to commands.

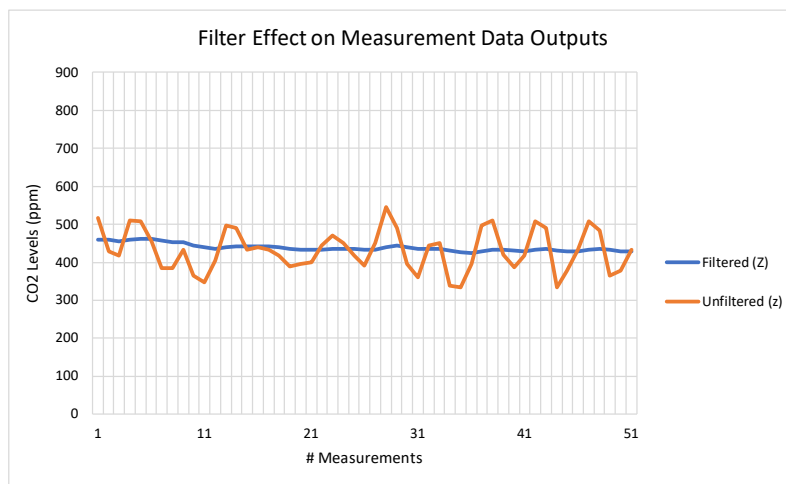
### **MODE K2 POLLING MODE**

In polling mode, the sensor only reports readings when requested. The sensor will continue to take measurements in the background, but the output stream is suppressed until data is requested. The sensor will always power up in streaming or polling mode, whichever mode was used before the power cycle.

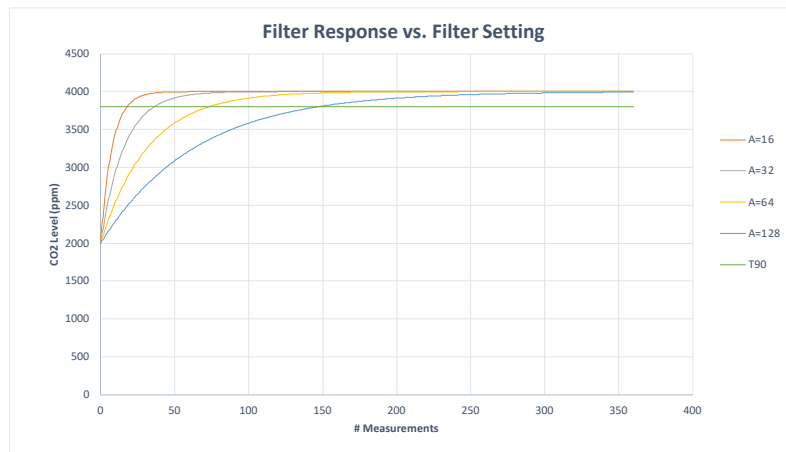
## Flexible Low Power CO<sub>2</sub> Sensor

### DIGITAL FILTER

The CO<sub>2</sub> gas chamber is illuminated with a nominal 4.25um wavelength LED and the signal received using a photo-diode. The signal from the photo-diode is processed and filtered by the sensor to remove noise and provide an accurate CO<sub>2</sub> reading. High frequency noise coming from the sampling process is removed using a proprietary lowpass filter. The digital filter setting can be varied, allowing the user to reduce measurement noise at the expense of the measurement response time. The ideal digital filter setting is application specific and is normally a balance between CO<sub>2</sub> reading accuracy and response time. The CozIR®-A sensor will also output the raw unfiltered CO<sub>2</sub> measurement data. This data can be post processed using alternative filter algorithms.



The graph above shows the effects of the filter on the CO<sub>2</sub> measurement data (Z or z). The unfiltered output is shown in orange and the filtered output shown in blue.



The graph above shows the effect of the filter on response times. Increasing the filter setting increases the measurement output response time. T<sub>90</sub> is the time to 90% of reading. The CozIR®-A takes 2 readings per second.

## **Flexible Low Power CO<sub>2</sub> Sensor**

---

### **ZERO POINT SETTING**

There are a several methods available to the user to set the zero point of the sensor. The recommended user method is zero-point setting in a known gas concentration. In all cases, the best zero is obtained when the gas concentration is stable, and the sensor is at a stabilised temperature.

Note that zero-point settings are not cumulative and only the latest zero-point setting is effective. For example, there is no benefit in zeroing in nitrogen, and then zeroing in a calibration gas. The sensor will store only the latest zero point.

To improve zeroing accuracy, the recommended digital filter setting is 32. See the 'A' command.

### **ZERO IN A KNOWN GAS CONCENTRATION**

Place the sensor in a known gas concentration, power up the sensor and allow time for the sensor temperature to stabilise, and for the gas to be fully diffused into the sensor.

Send the **ZERO IN A KNOWN GAS CONCENTRATION** command X to the sensor. The sensor will be zeroed using the known gas concentration level sent by the user. The concentration value written to the sensor must be scaled dependent on the sensor CO<sub>2</sub> measurement range. The multiplier for the scaling factor is set according to the range of the sensor, see the '.' command.

### **ZERO IN NITROGEN**

Place the sensor in nitrogen gas and allow time for the sensor temperature to stabilise and the gas to be fully diffused into the sensor. Send the **ZERO IN NITROGEN** command U to the sensor. The sensor is zeroed assuming a 0ppm CO<sub>2</sub> environment.

This function can also be enabled in hardware by pulling the NITROGEN\_ZERO pin low for greater than 3 seconds (CoZIR<sup>®</sup>-A Only).

### **ZERO IN FRESH AIR**

If there is no calibration gas or nitrogen available, the sensor zero point can be set in fresh air. Ambient CO<sub>2</sub> concentrations in fresh air are typically 400ppm. The CO<sub>2</sub> concentration fresh air zero level is programmable over a range from 0ppm to the full scale of the sensor.

Place the sensor in a fresh air environment and allow time for the sensor temperature to stabilise, and for the fresh air to be fully diffused into the sensor. Power up the sensor, write the G command to the sensor. The concentration value written to the sensor must be scaled dependent on the sensor CO<sub>2</sub> measurement range. The sensor can use the default fresh air CO<sub>2</sub> concentration value of 400ppm, or the user can write a different fresh air value to the sensor if desired.

This function can also be enabled in hardware by pulling the FRESH\_AIR\_ZERO pin low for greater than 3 seconds.

## **Flexible Low Power CO<sub>2</sub> Sensor**

---

### **ZERO POINT ADJUSTMENT**

If the CO<sub>2</sub> concentration and the sensor reported concentration are known, the zero point can be adjusted using the known concentration to fine tune the zero point. For example, if the sensor has been in an environment that has been exposed to outside air, and the sensor reading is known at that time, the zero point can be fine-tuned to correct the reading. This is typically used to implement automated zeroing routines.

The known CO<sub>2</sub> concentration value and the reported CO<sub>2</sub> value from the sensor can be sent to the sensor using the **ZERO POINT ADJUSTMENT** command F.

### **AUTO-ZERO FUNCTION**

The sensor has a built-in auto-zero function. To function correctly, the sensor must be exposed to typical background levels (400-450ppm) at least once during the auto-zero period. For example, many buildings will drop quickly to background CO<sub>2</sub> levels when unoccupied overnight or at weekends. The auto-zero function uses the information gathered during these periods to re-zero. The sensor will reset the 'zero' level every time it does an auto-zero.

Auto-zero is ENABLED by default. If the sensor is powered down, the auto-zero period settings are reset to the default value.

The auto-zero function works in the same way as the **ZERO IN FRESH AIR** command. The user can also independently adjust the CO<sub>2</sub> level used for auto-zeroing. Typically, it is set to the same value as the **ZERO IN FRESH AIR** value, but it can also be set at a different level if desired.

### **AUTO-ZERO INTERVALS**

The auto-zero period can be programmed by the user. The sensor can be programmed to undertake an initial auto-zero after power-on. Thereafter, the auto-zero period can be set independently of the start-up auto-zero time. Note, the auto-zero timer is reset if the sensor is powered down.

### **AUTO-ZERO SETTINGS**

By default, the sensor will automatically 'zero' using the lowest measured CO<sub>2</sub> level sampled during the auto-zero period. The sensor will re-zero to the pre-programmed level (default of 400ppm). The auto-zero reset value can be changed by the user.



## Flexible Low Power CO<sub>2</sub> Sensor

---

### ALTITUDE COMPENSATION

NDIR gas sensors detect the concentration of gas by measuring the degree of light absorption by the gas analyte. The degree of light absorption is then converted into a concentration reported by the sensor.

The absorption process is pressure dependent, and a change in pressure will cause a change in the reported gas concentration. As the pressure increases, the reported gas concentration also increases. As the pressure decreases, the reported concentration decreases. This effect takes place at a molecular level and is common to all NDIR gas sensors.

GSS sensors are calibrated at 1013mbar. The reading will vary by approximately 0.14% of reading for each mbar change in barometric pressure.

If the sensor is installed at an elevated altitude, the mean barometric pressure will be lower than 1013mbar. It is possible to configure the sensor to correct for this effect, by setting the altitude compensation value as part of the initial set up process. This will apply a permanent correction to the output of the sensor, depending on the altitude setting selected.

### ALTITUDE COMPENSATION TABLE

| Altitude (ft.) | Altitude (m) | Pressure (mbar) | Sea Level Difference | % Change per | CO <sub>2</sub> Measurement Change (%) | Compensation Value |
|----------------|--------------|-----------------|----------------------|--------------|----------------------------------------|--------------------|
| 0              | 0            | 1,013           | 0                    | 0.14         | 0                                      | 8,192              |
| 500            | 153          | 995             | 18                   | 0.14         | 3                                      | 8,398              |
| 1,000          | 305          | 977             | 36                   | 0.14         | 5                                      | 8,605              |
| 1,500          | 458          | 960             | 53                   | 0.14         | 7                                      | 8,800              |
| 2,000          | 610          | 942             | 71                   | 0.14         | 10                                     | 9,006              |
| 2,500          | 763          | 925             | 88                   | 0.14         | 12                                     | 9,201              |
| 3,000          | 915          | 908             | 105                  | 0.14         | 15                                     | 9,396              |
| 3,500          | 1,068        | 891             | 122                  | 0.14         | 17                                     | 9,591              |
| 4,000          | 1,220        | 875             | 138                  | 0.14         | 19                                     | 9,775              |
| 4,500          | 1,373        | 859             | 154                  | 0.14         | 22                                     | 9,958              |
| 5,000          | 1,525        | 843             | 170                  | 0.14         | 24                                     | 10,142             |
| 6,000          | 1,830        | 812             | 201                  | 0.14         | 28                                     | 10,497             |
| 7,000          | 2,135        | 782             | 231                  | 0.14         | 32                                     | 10,841             |
| 8,000          | 2,440        | 753             | 260                  | 0.14         | 36                                     | 11,174             |
| 9,000          | 2,745        | 724             | 289                  | 0.14         | 40                                     | 11,506             |
| 10,000         | 3,050        | 697             | 316                  | 0.14         | 44                                     | 11,816             |

Other altitude compensation values can be calculated using the following formula.

$$Compensation\ Value = 8192 + \left( \frac{Sea\ Level\ Difference * 0.14}{100} \right) * 8192$$

## Flexible Low Power CO<sub>2</sub> Sensor

### CONTROL INTERFACE

The CozIR®-A family of sensors are controlled by writing and reading from the sensor via its UART interface. The Rx\_In and Tx\_Out pins are normally high, suitable for direct connection to a TTL level UART. If the sensor is to be read by a true RS232 device (e.g. a PC), it is necessary to pass through a level converter to step up/down the voltage and invert the signal.

### CONTROL INTERFACE TIMING - UART MODE

| PARAMETER             | SYMBOL | MIN | TYP  | MAX | UNIT   |
|-----------------------|--------|-----|------|-----|--------|
| Baud Rate             |        |     | 9600 |     | Bits/s |
| Data Bits             |        |     | 8    |     |        |
| Parity                |        |     | None |     |        |
| Stop Bits             |        |     | 1    |     |        |
| Hardware Flow Control |        |     | None |     |        |

### UART COMMAND PROTOCOL

All UART commands must be terminated with a carriage return and line feed <CR><LF>, hex 0x0D 0x0A. In this document, this is shown as '\r\n'. UART commands that take a parameter always have a space between the letter and the parameter. The sensor will respond with a '?' if a command is not recognised. The two most common causes are missing spaces or missing <CR><LF> terminators.

All command communications are in ASCII and are terminated by carriage return, line feed (0x0D 0x0A). This document uses the protocol "\r\n" to indicate the carriage return line feed. All responses from the sensor, including measurements, have a leading space (ASCII character 32, hex 0x20).

The character '#' represents an ASCII representation of a numeric character (0-9). Note there is a space between the first letter and any parameter. For example, the X command reads "X space 2000 carriage return line feed".

### UART OPERATION

When initially powered, the sensor will immediately start to make measurements and transmit CO<sub>2</sub> readings when in K1 streaming mode, which is the default operational mode of the sensor.

The CO<sub>2</sub> measurement is reported as:

`Z ##### z #####\r\n`

where `Z #####` shows the filtered CO<sub>2</sub> concentration and `z #####` shows the raw most recent measurement.

Note that all outputs from the sensor have a leading space.

## Flexible Low Power CO<sub>2</sub> Sensor

### UART INTERFACE SUMMARY

| Syntax                       | Use                                                                                                      | Example                    | Response                               | Comments                                                                 |
|------------------------------|----------------------------------------------------------------------------------------------------------|----------------------------|----------------------------------------|--------------------------------------------------------------------------|
| A ###\r\n                    | Set value of the digital filter                                                                          | A 128\r\n                  | A 00128\r\n                            | See “Digital Filter”                                                     |
| a\r\n                        | Return the value of the digital filter                                                                   | a\r\n                      | a 00128\r\n                            | See “Digital Filter”                                                     |
| F #####\r\n                  | Fine Tune the zero-point setting                                                                         | F 410 400\r\n              | F 33000\r\n                            | See “Zero Point Setting”                                                 |
| G\r\n                        | Zero-point setting using fresh air                                                                       | G\r\n                      | G 33000\r\n                            | See “Zero Point Setting”                                                 |
| H\r\n                        | Returns the relative humidity value                                                                      | H\r\n                      | H 00551\r\n                            | Only if fitted as an option                                              |
| K #\r\n                      | Switches the sensor between different modes                                                              | K 1\r\n                    | K 00001\r\n                            |                                                                          |
| M ###\r\n                    | Sets the number of measurement data types output by the sensor                                           | M 212\r\n                  | M 00212\r\n                            | See “Measurement Data Outputs”                                           |
| P 8 ###\r\n<br>P 9 ###\r\n   | Sets value of CO <sub>2</sub> background concentration in ppm for auto-zeroing                           | P 8 1\r\n<br>P 9 144\r\n   | P 00008 00001\r\n<br>P 00009 00144\r\n | Two-byte value,<br>P 8 = MSB<br>P 9 = LSB<br><br>400ppm in the example   |
| P 10 ###\r\n<br>P 11 ###\r\n | Sets value of CO <sub>2</sub> background concentration in ppm used for zero- point setting in fresh air. | P 10 1\r\n<br>P 11 144\r\n | P 00010 00001\r\n<br>P 00011 00144\r\n | Two-byte value,<br>P 10 = MSB<br>P 11 = LSB<br><br>400ppm in the example |
| Q\r\n                        | Reports the latest measurement data types, as defined by ‘M’                                             | Q\r\n                      | H 12345 T 12345 Z<br>00010 z 00010\r\n | Output is same format as data in K 1 streaming mode                      |
| S #####\r\n                  | Sets the pressure and concentration compensation value                                                   | S 8192\r\n                 | S 08192\r\n                            | See “Altitude Compensation”                                              |
| s\r\n                        | Returns the altitude compensation value                                                                  | s\r\n                      | s 08192\r\n                            | See “Altitude Compensation”                                              |
| T\r\n                        | Returns the temperature value                                                                            | T\r\n                      | T 01224\r\n                            | Only if fitted as an option                                              |
| U\r\n                        | Zero-point setting using nitrogen                                                                        | U\r\n                      | U 33000\r\n                            | See “Zero Point Setting”                                                 |
| u #####\r\n                  | Manual setting of the zero point.                                                                        | u 32997\r\n                | u 32997\r\n                            | See “Zero Point Setting”                                                 |
| X #####\r\n                  | Zero-point setting using a known gas concentration                                                       | X 2000\r\n                 | X 32997\r\n                            | See “Zero Point Setting”                                                 |
| Y\r\n                        | Return firmware version and sensor serial number                                                         | Y\r\n                      | Returns <u>two</u> lines               |                                                                          |

## Flexible Low Power CO<sub>2</sub> Sensor

---

| Syntax        | Use                                                                                | Example       | Response      | Comments                                      |
|---------------|------------------------------------------------------------------------------------|---------------|---------------|-----------------------------------------------|
| Z\r\n         | Return the most recent filtered CO <sub>2</sub> measurement in ppm                 | Z\r\n         | Z 01521\r\n   |                                               |
| z\r\n         | Return the most recent unfiltered CO <sub>2</sub> measurement in ppm               | z\r\n         | Z 01521\r\n   |                                               |
| @ #.#.#.#\r\n | Set auto-zero ON, and sets the timing for initial and interval auto-zero periods   | @ 1.0 8.0\r\n | @ 1.0 8.0\r\n | See " <b>Auto-Zero Function</b> " for details |
| @\r\n         | Returns the auto-zero configuration                                                | @\r\n         | @ 1.0 8.0\r\n | See " <b>Auto-Zero Function</b> " for details |
| @ 0\r\n       | Switch auto-zero OFF                                                               | @ 0\r\n       | @ 0\r\n       | See " <b>Auto-Zero Function</b> " for details |
| .\r\n         | Returns the scaling factor multiplier required to convert the Z or z output to ppm | .\r\n         | . 00001\r\n   | Multiply by 1 in the example                  |

## Flexible Low Power CO<sub>2</sub> Sensor

---

### CO<sub>2</sub> LEVEL MEASUREMENT VALUE - Z INFORMATION (0x5A)

|                    |                                                         |
|--------------------|---------------------------------------------------------|
| <b>Description</b> | Reports the latest filtered CO <sub>2</sub> measurement |
| <b>Syntax</b>      | ASCII Character 'Z', terminated by 0x0D 0x0A (CR & LF)  |
| <b>Example</b>     | Z\r\n                                                   |
| <b>Response</b>    | Z 00521\r\n                                             |

This value needs to be multiplied by the appropriate scaling factor to derive the ppm value. See the '.' command.

### CO<sub>2</sub> LEVEL MEASUREMENT VALUE - z INFORMATION (0x7A)

The sensor is also capable of reporting the real time unfiltered CO<sub>2</sub> measurement value.

|                    |                                                        |
|--------------------|--------------------------------------------------------|
| <b>Description</b> | Reports the unfiltered CO <sub>2</sub> measurement     |
| <b>Syntax</b>      | ASCII Character 'z', terminated by 0x0D 0x0A (CR & LF) |
| <b>Example</b>     | z\r\n                                                  |
| <b>Response</b>    | z 00521\r\n                                            |

### '.' COMMAND (0x2E)

To calculate the measurement value in ppm, the 'Z' or 'z' value, they must be converted into ppm by using the '.' multiplier factor. This multiplier will depend on the full-scale measurement range of the sensor. The multiplier is related to the full-scale range of the sensor.

The multiplier must also be used when sending CO<sub>2</sub> concentration levels to the sensor, for example when setting the fresh air CO<sub>2</sub> concentration value. The '.' Command can also be used to read back the scaling factor.

For example, if the user wants to zero the sensor in a known concentration of gas (e.g. 450ppm), the value written to the sensor must be 450/scaling factor.

|                    |                                                                                                                                 |
|--------------------|---------------------------------------------------------------------------------------------------------------------------------|
| <b>Description</b> | Returns a number indicating what multiplier must be applied to the Z CO <sub>2</sub> measurement output to convert it into ppm. |
| <b>Syntax</b>      | ASCII character '.', terminated by 0x0D 0x0A ( CR & LF )                                                                        |
| <b>Example</b>     | .\r\n                                                                                                                           |
| <b>Response</b>    | . 00001\r\n (this number is variable, usually 1)                                                                                |

## Flexible Low Power CO<sub>2</sub> Sensor

| Measurement Range of Sensor | CO <sub>2</sub> Measurement Scaling Factor (Z) | CO <sub>2</sub> Measurement Output Units | Example                   |
|-----------------------------|------------------------------------------------|------------------------------------------|---------------------------|
| 0 – 1%                      | 1                                              | ppm                                      | Z 00650 = 650ppm = 0.065% |
| 0 – 60%                     | 10                                             | ppm/10                                   | Z 01200 = 12000ppm = 1.2% |
| 0 – 100%                    | 100                                            | ppm/100                                  | Z 01500 = 15000ppm = 15%  |

### TEMPERATURE MEASUREMENT VALUE - CozIR®-A Option

| Command | Use                                              | Example | Response    | Comments                                                                                                   |
|---------|--------------------------------------------------|---------|-------------|------------------------------------------------------------------------------------------------------------|
| T\r\n   | Returns the most recent temperature measurement. | T\r\n   | T 01224\r\n | Where ##### is a 5-digit number.<br><br>Temperature (°C) = (##### - 1000)/10.<br><br>22.4°C in the example |

|                    |                                                                          |
|--------------------|--------------------------------------------------------------------------|
| <b>Description</b> | Returns the most recent temperature measurement.                         |
| <b>Syntax</b>      | ASCII character 'T', SPACE, decimal, terminated by 0x0D 0x0A ( CR & LF ) |
| <b>Example</b>     | T\r\n                                                                    |
| <b>Response</b>    | T 01224\r\n (this number is variable)                                    |

### HUMIDITY MEASUREMENT VALUE - CozIR®-A Option

| Command | Use                                          | Example | Response    | Comments                                                                                          |
|---------|----------------------------------------------|---------|-------------|---------------------------------------------------------------------------------------------------|
| H\r\n   | Return the most recent humidity measurement. | H\r\n   | H 00551\r\n | Where ##### is a 5-digit number.<br><br>Humidity (%RH) = #####/10.<br><br>55.1% RH in the example |

|                    |                                                                          |
|--------------------|--------------------------------------------------------------------------|
| <b>Description</b> | Returns the most recent the humidity measurement.                        |
| <b>Syntax</b>      | ASCII character 'H', SPACE, decimal, terminated by 0x0D 0x0A ( CR & LF ) |
| <b>Example</b>     | H\r\n                                                                    |
| <b>Response</b>    | H 00551\r\n (this number is variable)                                    |

Note both temperature and humidity outputs are a factory fit option on the CozIR®-A only. If not fitted, sensor will return either T 01000 or H 00000.

To output temperature, humidity, and filtered CO<sub>2</sub>, send “M 4164\r\n” (see “**Measurement Data Outputs**”).

## Flexible Low Power CO<sub>2</sub> Sensor

---

The output format will have the form: *H 00345 T 01195 Z 00065\r\n*

This example indicates 34.5% RH, 19.5°C and 650ppm CO<sub>2</sub>.

### MEASUREMENT DATA OUTPUTS

The CozIR®-A family of sensors can be configured to provide CO<sub>2</sub>, temperature, and humidity data as a single string of data. Up to five data fields can be transmitted, programmable by the user. The number of fields and the type of data to be transmitted is defined by the “Mask Value” setting.

The output data format is as follows. Each field is identified by the Data Field Identifier character, followed by a space, followed by the five-digit number indicating the value of the parameter.

| Data Parameter                      | Data Field Identifier | Mask Value | Description                                                                                                     |
|-------------------------------------|-----------------------|------------|-----------------------------------------------------------------------------------------------------------------|
| Humidity                            | H                     | 4096       | Humidity value of the environment around the sensor                                                             |
| D digitally filtered                | d                     | 2048       | Reports a value related to the normalized LED signal strength (smoothed)                                        |
| D unfiltered                        | D                     | 1024       | Reports a value related to the normalized LED signal strength                                                   |
| Zero Set Point                      | h                     | 256        | Reports the current zero value                                                                                  |
| Sensor Temperature (unfiltered)     | V                     | 128        | Reports a value that varies inversely with the sensor temperature.                                              |
| Temperature                         | T                     | 64         | Reports a true temperature value of the environment around the sensor, if optional temperature sensor is fitted |
| LED Signal (digitally filtered)     | o                     | 32         | Reports a value that gives an indication of the LED signal strength (smoothed)                                  |
| LED Signal (unfiltered)             | O                     | 16         | Reports a value that gives an indication of the LED signal strength.                                            |
| Sensor Temperature (filtered)       | v                     | 8          | Reports a value that varies inversely with the sensor temperature. (smoothed)                                   |
| CO <sub>2</sub> Output (Filtered)   | Z                     | 4          | Filtered CO <sub>2</sub> reading                                                                                |
| CO <sub>2</sub> Output (Unfiltered) | z                     | 2          | Raw CO <sub>2</sub> reading, unfiltered                                                                         |

## Flexible Low Power CO<sub>2</sub> Sensor

| UART Command | Use                                                                                     | Default | Range | Example                        | Response    | Comments                                                       |
|--------------|-----------------------------------------------------------------------------------------|---------|-------|--------------------------------|-------------|----------------------------------------------------------------|
| M #####\r\n  | Sets the number of measurement data types output by the sensor. ##### is the mask value | M 6\r\n |       | See “Measurement Data Outputs” | M 00006\r\n | Sets the number of measurement data types output by the sensor |

The required mask value is the sum of the ‘Mask Value’ for each field required. To output filtered and unfiltered CO<sub>2</sub> data, set M=6.

To output the temperature, humidity, and CO<sub>2</sub> measurements, send: M 4164\r\n (4096 + 64 + 4 = 4164)

The output string will then be: H 12345 T 12345 Z 00010\r\n

### M COMMAND

|                    |                                                                                     |
|--------------------|-------------------------------------------------------------------------------------|
| <b>Description</b> | Sets the type and number of data outputs                                            |
| <b>Syntax</b>      | ASCII character 'M', SPACE, up to 5 digit number, terminated by 0x0D 0x0A (CR & LF) |
| <b>Example</b>     | M 04164\r\n                                                                         |
| <b>Response</b>    | M 04164\r\n                                                                         |

### Q COMMAND

|                    |                                                        |
|--------------------|--------------------------------------------------------|
| <b>Description</b> | Reports the latest output data fields defined by ‘M’   |
| <b>Syntax</b>      | ASCII character 'Q', terminated by 0x0D 0x0A (CR & LF) |
| <b>Example</b>     | Q\r\n                                                  |
| <b>Response</b>    | H 12345 T 12345 Z 00010\r\n                            |

### K COMMAND

| Command | Use                                                 | Default | Range | Example | Response | Comments                |
|---------|-----------------------------------------------------|---------|-------|---------|----------|-------------------------|
| K #\r\n | Switches the sensor between different control modes | 1       |       | K 1\r\n | K 1\r\n  | <i>See ‘K’ Commands</i> |

### K COMMAND (0x4B)

|                    |                                                                            |
|--------------------|----------------------------------------------------------------------------|
| <b>Description</b> | Sets the control interface mode                                            |
| <b>Syntax</b>      | ASCII character 'K', SPACE, mode number, terminated by 0x0D 0x0A (CR & LF) |



## Flexible Low Power CO<sub>2</sub> Sensor

---

|                 |                                       |
|-----------------|---------------------------------------|
| <b>Example</b>  | K 1\r\n                               |
| <b>Response</b> | K 00001\r\n (this number is variable) |

## Flexible Low Power CO<sub>2</sub> Sensor

### DIGITAL FILTER COMMANDS

| Command   | Use                             | Default | Range     | Example  | Response    | Comments |
|-----------|---------------------------------|---------|-----------|----------|-------------|----------|
| A ###\r\n | Set value of the digital filter | 16      | 0 - 65635 | A 16\r\n | A 00016\r\n |          |
| a\r\n     | Return value of digital filter  |         | 0 - 65365 | a\r\n    | a 00016\r\n |          |

#### A COMMAND (0x41)

|                    |                                                                        |
|--------------------|------------------------------------------------------------------------|
| <b>Description</b> | Set the value for the digital filter                                   |
| <b>Syntax</b>      | ASCII character 'A', SPACE, decimal, terminated by 0x0D 0x0A (CR & LF) |
| <b>Example</b>     | A 16\r\n                                                               |
| <b>Response</b>    | A 00016\r\n (this number is variable)                                  |

#### a COMMAND (0x61)

|                    |                                                                        |
|--------------------|------------------------------------------------------------------------|
| <b>Description</b> | Set the value for the digital filter                                   |
| <b>Syntax</b>      | ASCII character 'a', SPACE, decimal, terminated by 0x0D 0x0A (CR & LF) |
| <b>Example</b>     | a 16\r\n                                                               |
| <b>Response</b>    | a 00016\r\n (this number is variable)                                  |

### ZERO POINT SETTING COMMANDS

| Command                  | Use                                                    | Default                  | Range           | Example       | Response             | Comments                                  |
|--------------------------|--------------------------------------------------------|--------------------------|-----------------|---------------|----------------------|-------------------------------------------|
| F #####\r\n              | Fine Tune the zero point                               |                          | Range of sensor | F 410 400\r\n | F 33000\r\n          | See <i>"Zero Point Setting"</i>           |
| G\r\n                    | Zero-point setting using fresh air                     |                          |                 | G\r\n         | G 33000\r\n          | See <i>"Zero Point Setting"</i>           |
| U\r\n                    | Zero-point setting using nitrogen                      |                          |                 | U\r\n         | U 33000\r\n          | See <i>"Zero Point Setting"</i>           |
| u #####\r\n              | Manual setting of the zero point                       |                          |                 | u 32997\r\n   | u 32997\r\n          | See <i>"Zero Point Setting"</i>           |
| X #####\r\n              | Zero-point setting using a known gas concentration     |                          | Range of sensor | X 2000\r\n    | X 32997\r\n          | See <i>"Zero Point Setting"</i>           |
| P 8 ###\r\n<br>P 9 #\r\n | Sets value of CO <sub>2</sub> background concentration | P 8 1\r\n<br>P 9 144\r\n |                 | P 8 1\r\n     | P 00008<br>00001\r\n | Two-byte value,<br>P 8 = MSB<br>P 9 = LSB |

## Flexible Low Power CO<sub>2</sub> Sensor

| Command                    | Use                                                                                                      | Default                    | Range | Example                           | Response                                         | Comments                                                                 |
|----------------------------|----------------------------------------------------------------------------------------------------------|----------------------------|-------|-----------------------------------|--------------------------------------------------|--------------------------------------------------------------------------|
|                            | in ppm for auto-zeroing                                                                                  |                            |       | P 9<br>144\r\n                    | P 00009<br>00144\r\n                             | 400ppm in the example                                                    |
| P 10 ###\r\n<br>P 11 #\r\n | Sets value of CO <sub>2</sub> background concentration in ppm used for zero- point setting in fresh air. | P 10 1\r\n<br>P 11 144\r\n |       | P 10 1\r\n<br><br>P 11<br>144\r\n | P 00010<br>00001\r\n<br><br>P 00011<br>00144\r\n | Two-byte value,<br>P 10 = MSB<br>P 11 = LSB<br><br>400ppm in the example |

### F COMMAND (0x46)

|                    |                                                                                                                                              |
|--------------------|----------------------------------------------------------------------------------------------------------------------------------------------|
| <b>Description</b> | Sets the zero-point using a known reading and a known CO <sub>2</sub> concentration terminated by 0x0D 0x0A (CR & LF)                        |
| <b>Syntax</b>      | ASCII character 'F', SPACE, then the reported gas concentration, SPACE, then the actual gas concentration, terminated by 0x0D 0x0A (CR & LF) |
| <b>Example</b>     | F 410 400\r\n                                                                                                                                |
| <b>Response</b>    | F 33000\r\n (the numbers are variable)                                                                                                       |

### G COMMAND (0x47)

|                    |                                                                                                                                             |
|--------------------|---------------------------------------------------------------------------------------------------------------------------------------------|
| <b>Description</b> | Sets the zero point assuming the sensor is in fresh air (typically 400ppm CO <sub>2</sub> , but level can be set by user – see P commands.) |
| <b>Syntax</b>      | ASCII character 'G' terminated by 0x0D 0x0A (CR & LF)                                                                                       |
| <b>Example</b>     | G\r\n                                                                                                                                       |
| <b>Response</b>    | G 33000\r\n (the number is variable)                                                                                                        |

### U COMMAND (0x55)

|                    |                                                                                      |
|--------------------|--------------------------------------------------------------------------------------|
| <b>Description</b> | Sets the zero point assuming the sensor is in 0ppm CO <sub>2</sub> such as nitrogen. |
| <b>Syntax</b>      | ASCII Character 'U' terminated by 0x0D 0x0A (CR & LF)                                |
| <b>Example</b>     | U\r\n                                                                                |
| <b>Response</b>    | U 32767\r\n(the number is variable)                                                  |

### u COMMAND (0x75)

|                    |                                                                                         |
|--------------------|-----------------------------------------------------------------------------------------|
| <b>Description</b> | Forces a specific zero set point value.                                                 |
| <b>Syntax</b>      | ASCII character 'u', SPACE, then specific zero value, terminated by 0x0D 0x0A (CR & LF) |
| <b>Example</b>     | u 32767\r\n                                                                             |
| <b>Response</b>    | u 32767\r\n                                                                             |

## Flexible Low Power CO<sub>2</sub> Sensor

### X COMMAND (0x58)

|                    |                                                                                                                                                               |
|--------------------|---------------------------------------------------------------------------------------------------------------------------------------------------------------|
| <b>Description</b> | Sets the zero point with the sensor in a known concentration of CO <sub>2</sub> . Input value is scaled by CO <sub>2</sub> value multiplier, see '.' command. |
| <b>Syntax</b>      | ASCII character 'X', SPACE, then the gas concentration, terminated by 0x0D (CR & LF)                                                                          |
| <b>Example</b>     | X 1000\r\n                                                                                                                                                    |
| <b>Response</b>    | X 33000\r\n (the number is variable).                                                                                                                         |

### P COMMAND - CO<sub>2</sub> Level for Auto-Zeroing

|                    |                                                                                                                                                                                                 |
|--------------------|-------------------------------------------------------------------------------------------------------------------------------------------------------------------------------------------------|
| <b>Description</b> | Sets the value of CO <sub>2</sub> in ppm used for auto-zeroing. Input value is scaled by CO <sub>2</sub> value multiplier, see '.' command.                                                     |
| <b>Syntax</b>      | ASCII character 'P', SPACE, then 8, SPACE, then MSB terminated by 0x0D 0x0A (CR & LF)<br><br>ASCII character 'P' then a space, then 9, then a space, then LSB terminated by 0x0D 0x0A (CR & LF) |
| <b>Example</b>     | P 8 1\r\n<br>P 9 144\r\n                                                                                                                                                                        |
| <b>Response</b>    | P 00008 00001\r\n<br>P 00009 00144\r\n                                                                                                                                                          |

The value is entered as a two-byte word, MSB first.

MSB = Integer (Concentration/256)

LSB = Concentration – (256\*MSB)

In the above example, target CO<sub>2</sub> background concentration is 400ppm.

MSB = Integer (400/256) = 1

LSB = 400 – 256 = 144

### P COMMAND – CO<sub>2</sub> Level for Zero-Point Setting

|                    |                                                                                                                                                                                      |
|--------------------|--------------------------------------------------------------------------------------------------------------------------------------------------------------------------------------|
| <b>Description</b> | Sets value of CO <sub>2</sub> in ppm for zero-point setting in fresh air. Input value is scaled by CO <sub>2</sub> value multiplier, see '.' command.                                |
| <b>Syntax</b>      | ASCII character 'P', SPACE, then 10, SPACE, then MSB terminated by 0x0D 0x0A (CR & LF)<br><br>ASCII character 'P', SPACE, then 11, SPACE, then LSB terminated by 0x0D 0x0A (CR & LF) |
| <b>Example</b>     | P 10 7\r\n<br>P 11 208\r\n                                                                                                                                                           |
| <b>Response</b>    | P 00010 00007\r\n<br>P 00011 00208\r\n                                                                                                                                               |

## Flexible Low Power CO<sub>2</sub> Sensor

---

MSB = Integer (Concentration/256)  
 LSB = Concentration – (256\*MSB)

In the above example, target zero-point CO<sub>2</sub> concentration is 2000ppm.

MSB = Integer (2000/256) = 7  
 LSB = 2000 – (256\*MSB) = 208

### AUTO-ZERO INTERVALS

| UART Command | Use                         | Default | Range | Example       | Response      | Comments                    |
|--------------|-----------------------------|---------|-------|---------------|---------------|-----------------------------|
| @ #.#.#\r\n  | Auto-zero interval settings |         |       | @ 1.0 8.0\r\n | @ 1.0 8.0\r\n | See “Auto-zero” for details |

### @ COMMAND (0x40)

|                    |                                                                                       |
|--------------------|---------------------------------------------------------------------------------------|
| <b>Description</b> | Set the ‘Initial Interval’ and ‘Regular Interval’ for auto-zero events.               |
| <b>Syntax</b>      | ASCII character '@', SPACE, decimal, SPACE, decimal terminated by 0x0D 0x0A (CR & LF) |
| <b>Example</b>     | @ 1.0 8.0\r\n                                                                         |
| <b>Response</b>    | @ 1.0 8.0\r\n (the number mirrors the input value)                                    |

Both the initial interval and regular interval are given in days. Both must be entered with a decimal point and one figure after the decimal point. In the above example, the auto-zeroing interval is set to 8 days, and the initial interval set to 1 day.

The CozIR®-A has auto-zero ENABLED by default. The default values are an initial interval of 1.0 day and an on-going interval of 8.0 days.

- To set auto-zero OFF, send @ 0\r\n
- To set auto-zero ON, send @ #.#.#\r\n (integer numbers for initial period and regular period)
- To determine the auto-zeroing configuration, send @\r\n
- If the auto-zero function is OFF, @\r\n will return 0.
- If the auto-zero is ON, @\r\n will return 1.0 8.0 (for the default values).

## Flexible Low Power CO<sub>2</sub> Sensor

---

### ALTITUDE COMPENSATION

| UART Command | Use                                     | Default | Range   | Example    | Response    | Comments                             |
|--------------|-----------------------------------------|---------|---------|------------|-------------|--------------------------------------|
| S #####\r\n  | Sets the altitude compensation value    | 8192    | 0-65536 | S 8192\r\n | S 08192\r\n | See “ <i>Altitude Compensation</i> ” |
| s\r\n        | Returns the altitude compensation value |         |         | s\r\n      | s 08192\r\n | See “ <i>Altitude Compensation</i> ” |

### S COMMAND (0x53)

|                    |                                                                        |
|--------------------|------------------------------------------------------------------------|
| <b>Description</b> | Set the 'Altitude Compensation' value                                  |
| <b>Syntax</b>      | ASCII character 'S', SPACE, decimal, terminated by 0x0D 0x0A (CR & LF) |
| <b>Example</b>     | S 8192\r\n                                                             |
| <b>Response</b>    | S 08192\r\n (the number mirrors the input value)                       |

### s COMMAND (0x73)

|                    |                                                        |
|--------------------|--------------------------------------------------------|
| <b>Description</b> | Reports the 'Altitude Compensation' value.             |
| <b>Syntax</b>      | ASCII Character 's', terminated by 0x0D 0x0A (CR & LF) |
| <b>Example</b>     | s\r\n                                                  |
| <b>Response</b>    | s 8192\r\n                                             |

### SERIAL NUMBER AND FIRMWARE VERSION

| UART Command | Use                                              | Default | Range | Example | Response                 | Comments |
|--------------|--------------------------------------------------|---------|-------|---------|--------------------------|----------|
| Y\r\n        | Return firmware version and sensor serial number |         |       | Y\r\n   | Returns <u>two</u> lines |          |

## Flexible Low Power CO<sub>2</sub> Sensor

---

### Y COMMAND (0x59)

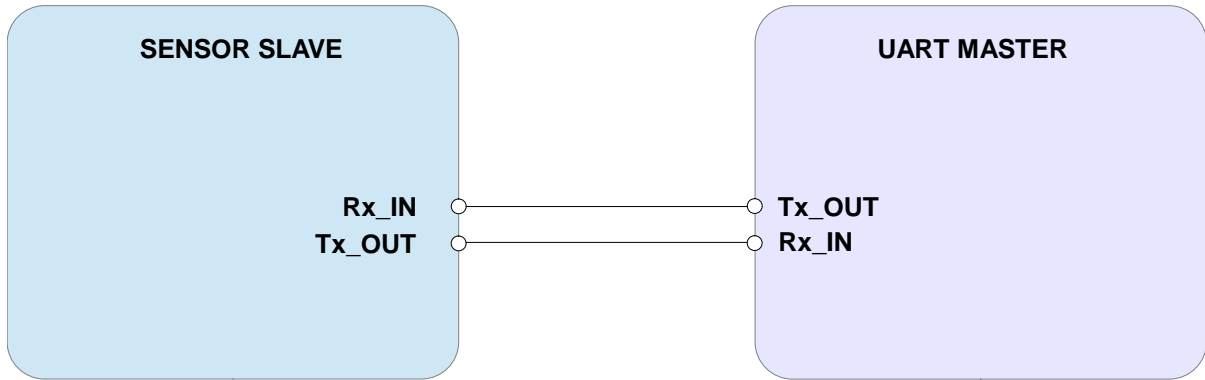
|                    |                                                                                                                                                                                                     |
|--------------------|-----------------------------------------------------------------------------------------------------------------------------------------------------------------------------------------------------|
| <b>Description</b> | The present version string for the firmware and serial number of the sensor.                                                                                                                        |
| <b>Syntax</b>      | ASCII character 'Y', terminated by 0x0d 0x0a (CR & LF)                                                                                                                                              |
| <b>Example</b>     | Y\r\n                                                                                                                                                                                               |
| <b>Response</b>    | Y, Aug 25 2021, 14:19:56, LP15132<br>B 528148 00000<br><br>Where;<br><br>Aug 25 2021, 14:19:56 is the firmware compile date and time<br>LP15132 is the firmware revision<br>528148 is the sensor ID |

N.B. This command returns two lines split by a carriage return line feed and terminated by a carriage return line feed. This command requires that the sensor has been stopped (see 'K' command).

## Flexible Low Power CO<sub>2</sub> Sensor

---

### CONNECTION DIAGRAM FOR UART INTERFACE





## **Flexible Low Power CO<sub>2</sub> Sensor**

---

### **IMPORTANT NOTICE**

Gas Sensing Solutions Ltd. (GSS) products and services are sold subject to GSS's terms and conditions of sale, delivery and payment supplied at the time of order acknowledgement. GSS warrants performance of its products to the specifications in effect at the date of shipment. GSS reserves the right to make changes to its products and specifications or to discontinue any product or service without notice.

Customers should therefore obtain the latest version of relevant information from GSS to verify that the information is current. Testing and other quality control techniques are utilised to the extent GSS deems necessary to support its warranty. Specific testing of all parameters of each device is not necessarily performed unless required by law or regulation. In order to minimise risks associated with customer applications, the customer must use adequate design and operating safeguards to minimise inherent or procedural hazards. GSS is not liable for applications assistance or customer product design. The customer is solely responsible for its selection and use of GSS products. GSS is not liable for such selection or use nor for use of any circuitry other than circuitry entirely embodied in a GSS product.

GSS products are not intended for use in life support systems, appliances, nuclear systems or systems where malfunction can reasonably be expected to result in personal injury, death or severe property or environmental damage. Any use of products by the customer for such purposes is at the customer's own risk.

GSS does not grant any licence (express or implied) under any patent right, copyright, mask work right or other intellectual property right of GSS covering or relating to any combination, machine, or process in which its products or services might be or are used. Any provision or publication of any third party's products or services does not constitute GSS's approval, licence, warranty or endorsement thereof. Any third party trademarks contained in this document belong to the respective third-party owner.

Reproduction of information from GSS datasheets is permissible only if reproduction is without alteration and is accompanied by all associated copyright, proprietary and other notices (including this notice) and conditions. GSS is not liable for any unauthorised alteration of such information or for any reliance placed thereon.

Any representations made, warranties given, and/or liabilities accepted by any person which differ from those contained in this datasheet or in GSS's standard terms and conditions of sale, delivery and payment are made, given and/or accepted at that person's own risk. GSS is not liable for any such representations, warranties or liabilities or for any reliance placed thereon by any person.

### **ADDRESS**

Gas Sensing Solutions Ltd.  
Grayshill Road  
Cumbernauld  
G68 9HQ  
United Kingdom

## Flexible Low Power CO<sub>2</sub> Sensor

---

### REVISION HISTORY

| DATE       | RELEASE | DESCRIPTION OF CHANGES                              | PAGES   |
|------------|---------|-----------------------------------------------------|---------|
| 05/03/2020 | 4.0     | First revision                                      | All     |
| 13/05/2020 | 4.1     | Updated auto-zero language                          | All     |
| 10/06/2020 | 4.2     | ABSOLUTE MAXIMUM RATINGS                            | P.8     |
| 15/01/2021 | 4.3     | INTERFACE TIMING – NITROGEN_ZERO and FRESH_AIR_ZERO | P.12    |
| 01/02/2021 | 4.4     | ABSOLUTE MAXIMUM RATINGS                            | P.8     |
| 23/06/2021 | 4.5     | @ COMMAND UPDATE                                    | P.27    |
| 23/08/2021 | 4.6     | Added Measure data outputs information              | P.23    |
| 27/09/2021 | 4.7     | Y Command                                           | P.31    |
| 21/10/2021 | 4.8     | @ COMMAND functionality                             | P.16,29 |