

## High Speed CO<sub>2</sub> Sensor

### DESCRIPTION

The SprintIR®-W is a high flow through NDIR CO<sub>2</sub> sensor using state-of-the-art solid-state LED optical technology. The low power LEDs are manufactured in-house, giving GSS complete control of the CO<sub>2</sub> sensor signal chain.

The SprintIR®-W is designed for applications that need high response time and high-speed measurement capability. The SprintIR®-W is takes 20 readings per second, making it ideal for equipment that needs real-time CO<sub>2</sub> gas analysis or monitoring.

The sensor is available in multiple versions, capable of measuring CO<sub>2</sub> levels up to 100% concentration.

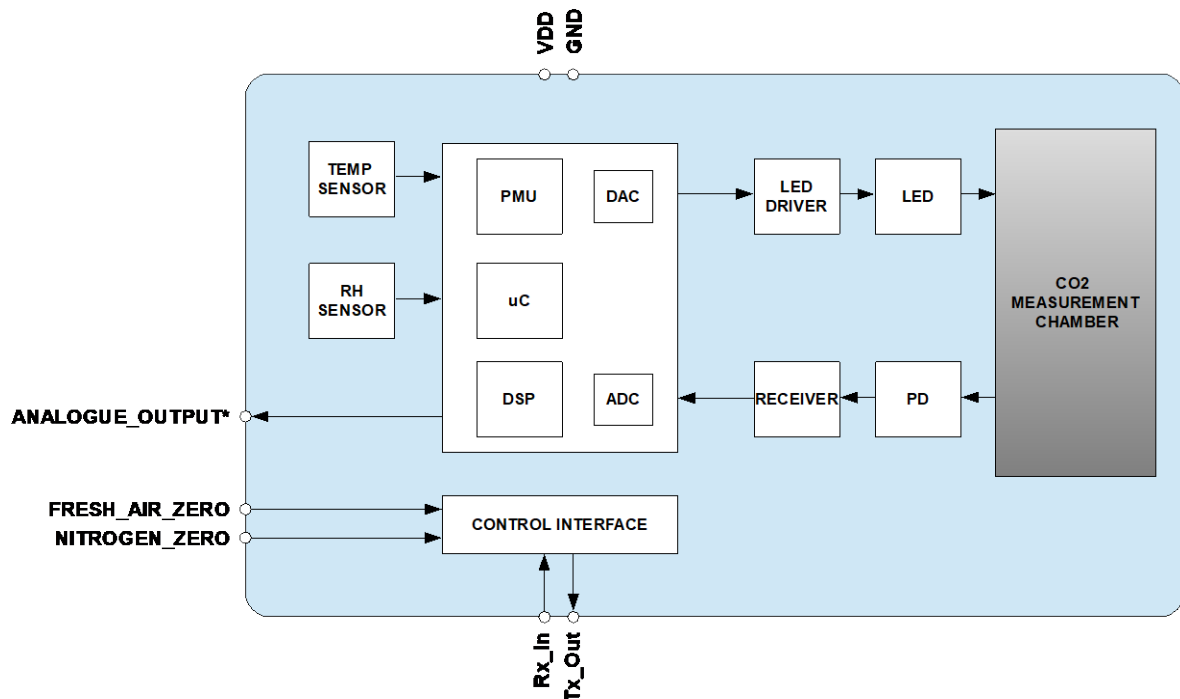
### FEATURES

- 20 readings per second
- High flow throughput capability
- Custom flow adaptor options
- 70ppm typical measurement accuracy
- Measurement range up to 100%
- Solid state NDIR LED optical technology
- UART control and data interface
- Built-in auto-zeroing

### APPLICATIONS

- Healthcare
- Food Packaging
- Sport Science
- CO<sub>2</sub> Fire Suppression Deployment

### BLOCK DIAGRAM



## High Speed CO<sub>2</sub> Sensor

---

### TABLE OF CONTENTS

DESCRIPTION.....	1
FEATURES.....	1
APPLICATIONS.....	1
BLOCK DIAGRAM.....	1
ORDERING INFORMATION.....	4
PACKAGE DRAWING: SprintIR®-W WITH FLOW PORT ADAPTOR.....	5
PACKAGE DRAWING: SprintIR®-W WITH MEMBRANE COVER.....	6
PIN-OUT DESCRIPTION: SprintIR®-W (Either Version).....	6
ABSOLUTE MAXIMUM RATINGS.....	7
RECOMMENDED OPERATING CONDITIONS.....	7
MECHANICAL SEALING – For Sensors with Flow Port Adaptor Only.....	7
CO <sub>2</sub> 2 PERFORMANCE CHARACTERISTICS.....	8
HUMIDITY PERFORMANCE CHARACTERISTICS - SprintIR®-W Option.....	9
TEMPERATURE PERFORMANCE CHARACTERISTICS - SprintIR®-W Option.....	9
CO <sub>2</sub> ANALOGUE OUTPUT PERFORMANCE CHARACTERISTICS – SprintIR®-W Option.....	9
ELECTRICAL CHARACTERISTICS.....	10
POWER CONSUMPTION - SprintIR®-W.....	10
INTERFACE TIMING – NITROGEN_ZERO and FRESH_AIR_ZERO.....	11
RESPONSE TIME, FLOW RATE AND MEASUREMENT RATE - SprintIR®-W.....	12
Measurement Rate.....	12
Gas Exchange Rate.....	12
Digital Filter Setting.....	12
METHOD OF OPERATION.....	13
MODE 0 COMMAND MODE.....	13
MODE 1 STREAMING MODE.....	13
MODE 2 POLLING MODE.....	13
DIGITAL FILTER.....	14
ZERO POINT SETTING.....	16
ZERO IN A KNOWN GAS CONCENTRATION.....	16
ZERO IN NITROGEN.....	16
ZERO IN FRESH AIR.....	16
ZERO POINT ADJUSTMENT.....	16
AUTO-ZERO FUNCTION.....	17
AUTO-ZERO INTERVALS.....	17
AUTO-ZERO SETTINGS.....	17
PRESSURE AND CONCENTRATION LEVEL COMPENSATION.....	18
ALTITUDE COMPENSATION TABLE.....	18
CONTROL INTERFACE.....	20
CONTROL INTERFACE TIMING - UART MODE.....	20
UART COMMAND PROTOCOL.....	20
UART OPERATION.....	20
UART INTERFACE SUMMARY.....	21

## High Speed CO<sub>2</sub> Sensor

---

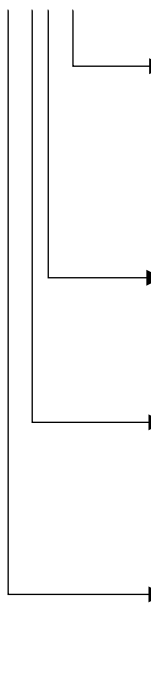
CO <sub>2</sub> LEVEL MEASUREMENT VALUE - Z INFORMATION (0x5A) .....	23
CO <sub>2</sub> LEVEL MEASUREMENT VALUE - z INFORMATION (0x7A) .....	23
‘ ’ COMMAND (0x2E).....	23
TEMPERATURE MEASUREMENT VALUE - SprintIR®-W Option.....	24
HUMIDITY MEASUREMENT VALUE - SprintIR®-W Option .....	24
CO <sub>2</sub> ANALOGUE OUTPUT COMMAND.....	25
K COMMAND.....	26
K COMMAND (0x4B) .....	26
DIGITAL FILTER COMMANDS .....	26
A COMMAND (0x41) .....	26
a COMMAND (0x61).....	26
ZERO POINT SETTING COMMANDS .....	27
F COMMAND (0x46).....	27
G COMMAND (0x47) .....	28
U COMMAND (0x55) .....	28
u COMMAND (0x75) .....	28
X COMMAND (0x58) .....	28
P COMMAND - CO <sub>2</sub> Level for Auto-Zeroing .....	28
P COMMAND – CO <sub>2</sub> Level for Zero-Point Setting.....	29
AUTO-ZEROING INTERVALS .....	30
@ COMMAND (0x2E) .....	30
PRESSURE AND CONCENTRATION COMPENSATION .....	31
S COMMAND (0x53).....	31
s COMMAND (0x73) .....	31
MEASUREMENT DATA OUTPUTS .....	32
M COMMAND .....	33
Q COMMAND.....	33
SERIAL NUMBER AND FIRMWARE VERSION .....	34
Y COMMAND (0x59).....	34
CONNECTION DIAGRAM FOR UART INTERFACE .....	35
IMPORTANT NOTICE .....	36
ADDRESS .....	36

## High Speed CO<sub>2</sub> Sensor

---

**ORDERING INFORMATION**

**SPRINTIR-W-X-XX-X**



X	Measurement Range
5	0-5%
20	0-20%
60	0-60%
100	0-100%

X	Temperature and RH
H	Included
Blank	Not included

X	CO <sub>2</sub> Voltage Output
V	Included
Blank	Not included

X	Flow Adaptor
F	Included
X	Not included, membrane only

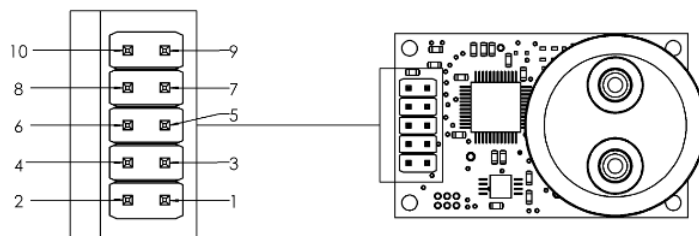
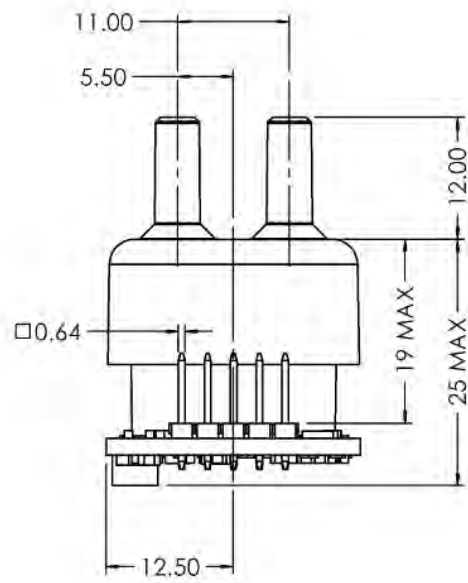
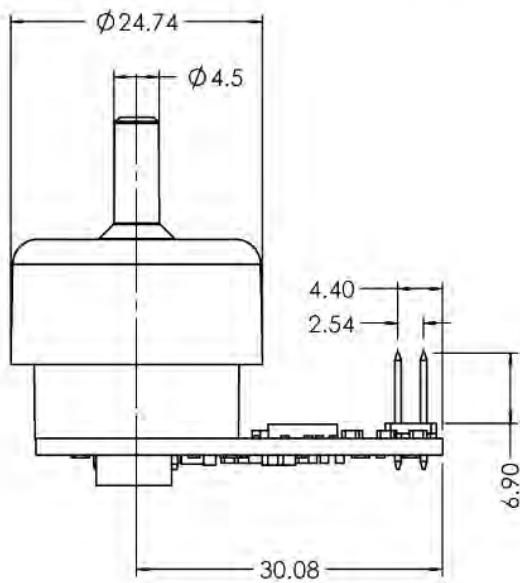
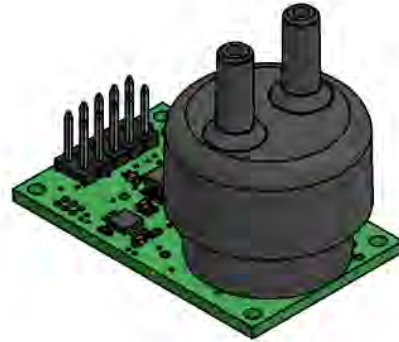
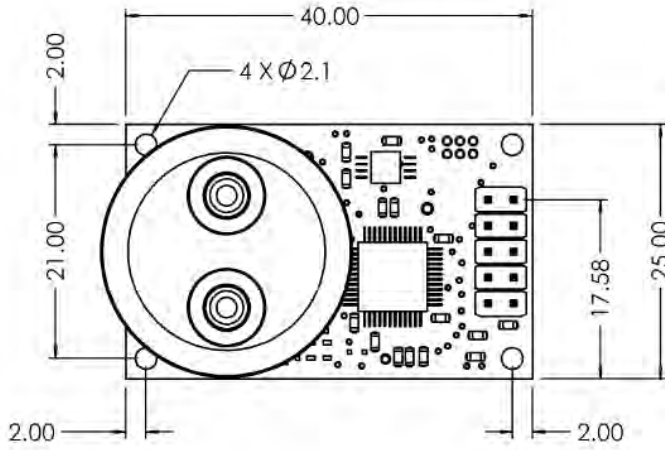
**Notes:**

1. Sensors are shipped individually
2. Custom flow through adaptors are available, contact GSS for options

**See separate data sheet for SprintIR®-W evaluation kit options.**

**High Speed CO<sub>2</sub> Sensor**

**PACKAGE DRAWING: SprintIR®-W WITH FLOW PORT ADAPTOR**

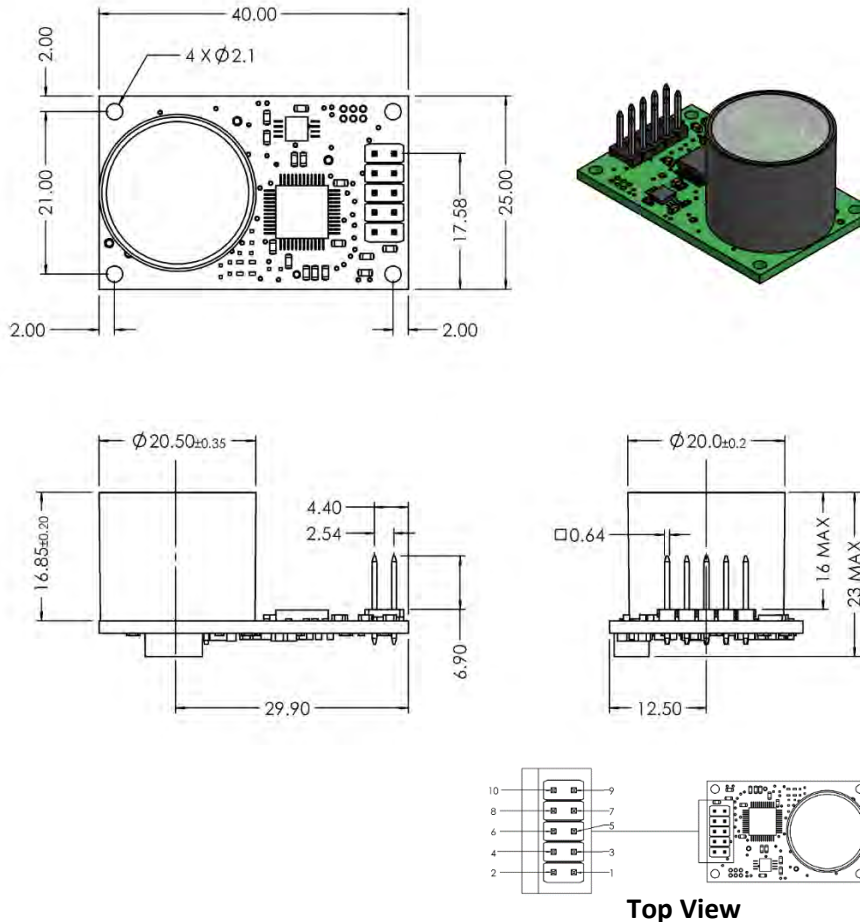


**Top View**

**Weight = ~7g**

## High Speed CO<sub>2</sub> Sensor

### PACKAGE DRAWING: SprintIR®-W WITH MEMBRANE COVER



Weight = ~6g

### PIN-OUT DESCRIPTION: SprintIR®-W (Either Version)

PIN	NAME	TYPE	DESCRIPTION
1	GND	Supply	Sensor ground
2	NC	Unused	Do Not Connect
3	VDD	Supply	Sensor supply voltage
4	GND	Supply	Sensor ground
5	Rx_In	Digital Input	UART Receive Input
6	GND	Supply	Sensor ground
7	Tx_Out	Digital Output	UART Transmit Output
8	NITROGEN_ZERO	Digital Input	Set low to initiate a Zero in Nitrogen Setting Cycle
9	ANALOGUE_OUTPUT	Analogue Output	CO <sub>2</sub> Level (Optional)
10	FRESH_AIR_ZERO	Digital Input	Set low to initiate a Zero in Fresh Air Setting Cycle

## High Speed CO<sub>2</sub> Sensor

### ABSOLUTE MAXIMUM RATINGS

Absolute Maximum Ratings are stress ratings only. Permanent damage to the SprintIR®-W may be caused by continuously operating at or beyond these limits. The SprintIR®-W functional operating limits and guaranteed performance specifications are given at the test conditions specified.



ESD Sensitive Device. This sensor uses ESD sensitive components. It is therefore generically susceptible to damage from excessive static voltages. Proper ESD precautions must be taken during handling and storage of this device.

CONDITION	MIN	MAX
Supply Voltages	-0.3V	+6.0V
Voltage Range Digital Inputs	GND -0.3V	5V
Operating Temperature Range (T <sub>a</sub> ) - Standard	0°C	+50°C
Storage Temperature Range	-40°C	+70°C
Humidity Range (RH), Non-Condensing	0	95%
Operating Ambient Pressure Range	500mbar	2bar

### RECOMMENDED OPERATING CONDITIONS

PARAMETER	SYMBOL	MIN	TYP	MAX	UNIT
Supply	VDD	3.25	3.3	5.5	V
Ground	GND		0		V

### MECHANICAL SEALING – For Sensors with Flow Port Adaptor Only

CONDITION	MIN	MAX
Working Pressure <sup>1</sup>	0.3bar	
Burst Pressure <sup>2</sup>	2bar	

#### Test Conditions Unless Otherwise Specified

1. The mechanical sealing between the flow adaptor and sensor housing is tested by pressurising the gas chamber to 0.3bar. The pressure reading must not drop by more than 1mbar within 30 seconds
2. Guaranteed by design, not tested
3. Sensors with a membrane cover do not have an air-tight seal between the sensor casing and the main sensor body.

## High Speed CO<sub>2</sub> Sensor

### CO<sub>2</sub> 2 PERFORMANCE CHARACTERISTICS

Test Conditions Unless Otherwise Specified

VDD = 3.3V, GND = 0V. CO<sub>2</sub> = 450ppm, RH = 0% non-condensing, T = 25°C, Pressure = 1013mbar, Flow Rate = 0.2l/minute, Flow Port

PARAMETER	SYMBOL	TEST CONDITIONS	MIN	TYP	MAX	UNIT
CO <sub>2</sub> measurement range			0		5	%
			0		20	%
			0		60	%
			0		100	%
Accuracy (Peak-Peak) 0-60%		@25°C		±70, +5%		ppm
		0°C to +50°C, after auto-zero @25°C		±70, +5% +~0.1% per °C		ppm
Accuracy (Peak-Peak) 0-100%		@25°C		±300, +5%		ppm
		0°C to +50°C, after auto-zero @25°C		±300, +5% +~0.1% per °C		ppm
CO <sub>2</sub> RMS Noise		Digital filter setting 16		6		ppm
Time to Valid Measurement After Power-On		Digital filter setting 16, dependent on digital filter setting	1.0	1.2		secs
Response Time		T <sub>90</sub> , no filter @ 0.1l/min		3.6		secs
		T <sub>90</sub> , filter = 16 @ 0.1l/min		4.8		
Repeatability		@25°C, 0-60%		±70, +5%		ppm
		@25°C, 0-100%		±300, +5%		ppm
Current Consumption		Peak current when sampling		35		mA
		Peak at turn-on		40		mA
		SLEEP Mode (K2 polling)		0.01		mA



## High Speed CO<sub>2</sub> Sensor

**HUMIDITY PERFORMANCE CHARACTERISTICS - SprintIR®-W Option**

PARAMETER	SYMBOL	TEST CONDITIONS	MIN	TYP	MAX	UNIT
Humidity measurement range			0		100	%
Accuracy		@25°C		±3		% RH
Repeatability		@25°C		±1		%
Response time		0-50%		<8		secs
Accuracy drift				0.25		% RH/Yr

**TEMPERATURE PERFORMANCE CHARACTERISTICS - SprintIR®-W Option**

PARAMETER	SYMBOL	TEST CONDITIONS	MIN	TYP	MAX	UNIT
Temperature measurement range			-25		55	°C
Accuracy		0-50°C		±0.5		°C
Repeatability		@25°C		±0.1		%
Response time		0-50%, @25°C		>10		secs
Accuracy drift				0.03		%/Yr

**CO<sub>2</sub> ANALOGUE OUTPUT PERFORMANCE CHARACTERISTICS – SprintIR®-W Option**

PARAMETER	SYMBOL	TEST CONDITIONS	MIN	TYP	MAX	UNIT
Output voltage range <sup>1,2</sup>	ANALOGUE_OUTPUT		0		VDD	V
CO <sub>2</sub> level		0-5%		66		uV/ppm
		0-20%		16.5		uV/ppm
		0-60%		5.5		uV/ppm
		0-100%		3.3		uV/ppm
Repeatability		@25°C, 0-60%		±0.1		%
		@25°C, 0-100%		±0.1		%
Response time		From 0ppm to T <sub>50</sub> default settings		0.5		secs

**Notes**

1. The output CO<sub>2</sub> accuracy is degraded where ANALOGUE\_OUTPUT <50mV, or >VDD-50mV
2. ANALOGUE\_OUTPUT accuracy specified with a resistive loading @ >100Kohm

## High Speed CO<sub>2</sub> Sensor

**ELECTRICAL CHARACTERISTICS**

PARAMETER	SYMBOL	TEST CONDITIONS	MIN	TYP	MAX	UNIT
<b>Digital Input/Output</b>						
Input HIGH Level			1.8			V
Input LOW Level					1.0	V
Output HIGH Level		I <sub>OH</sub> = +1mA	2.6		3.0	V
Output LOW Level		I <sub>OL</sub> = -1mA			0.4	V

**POWER CONSUMPTION - SprintIR®-W**

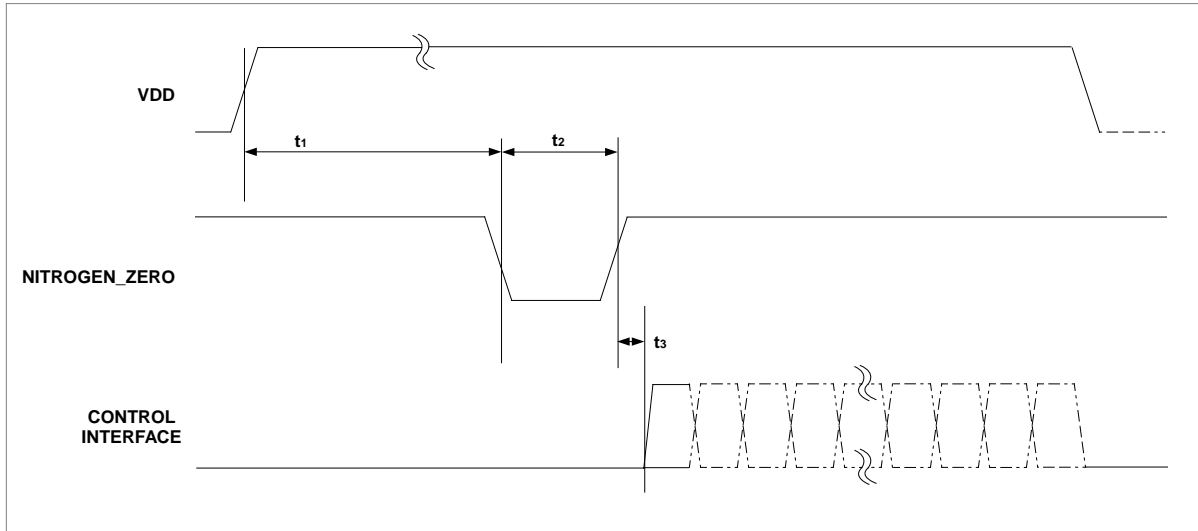
Test Conditions Unless Otherwise Specified

VDD = 3.3V, GND = 0V. CO<sub>2</sub> = 450ppm, RH = 0% non-condensing, T = 25°C, Pressure = 1013mbar, Flow Rate = 0.2l/minute

SETTING	SYMBOL	TEST CONDITIONS	VDD		Total Power
			V	I (mA)	mW
Active, K0 SLEEP mode, no measurement			3.3	0.01	0.03
Active, K1 mode whilst taking measurements		Default settings	3.3	9	30
Additional Power with RH active		RH measurement on	3.3	0.05	0.2
Additional Power with T active		Temperature measurement on	3.3	0.05	0.2
Additional Power with CO <sub>2</sub> active		With analogue CO <sub>2</sub> output	3.3	0.02	0.1

## High Speed CO<sub>2</sub> Sensor

### INTERFACE TIMING – NITROGEN\_ZERO and FRESH\_AIR\_ZERO



PARAMETER	SYMBOL	MIN	TYP	MAX	UNIT
Power On to NITROGEN_ZERO Ready	t <sub>1</sub>	Time to stable gas			s
NITROGEN_ZERO Low Pulse-Width	t <sub>2</sub>	3			s
Control Interface Setup Time	t <sub>3</sub>	600			ns

#### Notes

1. The timing for FRESH\_AIR\_ZERO is identical to NITROGEN\_ZERO
2. Ensure gas concentration is stable (t<sub>1</sub>) before beginning zeroing process

## High Speed CO<sub>2</sub> Sensor

---

### RESPONSE TIME, FLOW RATE AND MEASUREMENT RATE - SprintIR®-W

The SprintIR®-W response time is dependent on several interrelated factors.

#### Measurement Rate

The measurement rate is fixed at 20 readings per second.

#### Gas Exchange Rate

The most important factor is the gas exchange rate. This is the amount of time it takes for the gas to enter the CO<sub>2</sub> measurement chamber, measured, and then replaced. The sensor has a gas measurement chamber volume of approximately 2.8ml. As a general rule of thumb, to properly exchange the gas in the chamber, there needs to be a x5 volume of gas passed through the sensor. Therefore, approximately 14ml of gas needs to flow through the sensor for each reading.

$$\text{Max Flow Rate (l/min)} = \frac{20 \text{ reading/s} * 60\text{s} * 14\text{ml}}{1000}$$

#### Digital Filter Setting

The sensor outputs both filtered and raw unfiltered CO<sub>2</sub> readings. If the filtered measurement data is used, the read rate will also depend on the filter setting or the algorithm to process the raw data.

The table below shows how the response time varies with filter setting and flow rate.

Gas delivery	Measurement frequency (Hz)	T <sub>50</sub> Response time 0.1l/min (s)		T <sub>50</sub> Response time 1l/min (s)	
		No filter	Filter 16	No filter	Filter 16
Flow Adaptor	20	0.7s	1.5s	0.1s	1.3s

Gas delivery	Measurement frequency (Hz)	T <sub>90</sub> Response time 0.1l/min (s)		T <sub>90</sub> Response time 1l/min	
		No filter	Filter 16	No filter	Filter 16
Flow Adaptor	20	3.6s	4.8s	0.3s	2.5s

## **High Speed CO<sub>2</sub> Sensor**

---

### **METHOD OF OPERATION**

After power is applied to the SprintIR®-W, the sensor will automatically start to take CO<sub>2</sub> measurements using the Mode 1 default settings, where the sensor is pre-programmed to send CO<sub>2</sub> measurement data at 20 readings per second.

The measurement rate is fixed at 20 readings per second at a fixed 9600 baud rate. The sensor will return the previous CO<sub>2</sub> measurement results if the user requests more frequent measurements.

The SprintIR®-W has 3 potential modes of operation.

### **MODE 0 COMMAND MODE**

In this mode, the sensor is in a SLEEP mode, waiting for commands. No measurements are made. There is no latency in command responses. All commands that report measurements or alter the zero-point settings are disabled in Mode 0. Mode 0 is NOT retained after power cycling.

### **MODE 1 STREAMING MODE**

This is the factory default setting. Measurements are reported 20 per second. Commands are processed when received, except during measurement activity, so there may be a time delay of up to 10ms in responding to commands.

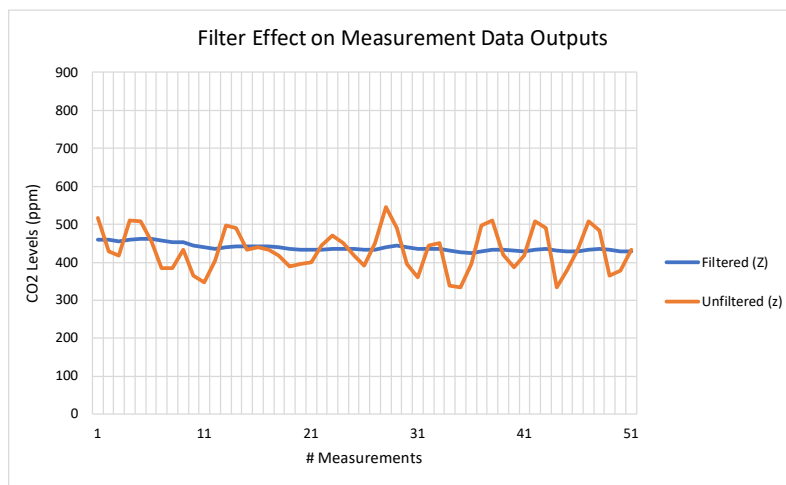
### **MODE 2 POLLING MODE**

In polling mode, the sensor only reports readings when requested. The sensor will continue to take measurements in the background, but the output stream is suppressed until data is requested. The sensor will always power up in streaming or polling mode, whichever mode was used before the power cycle.

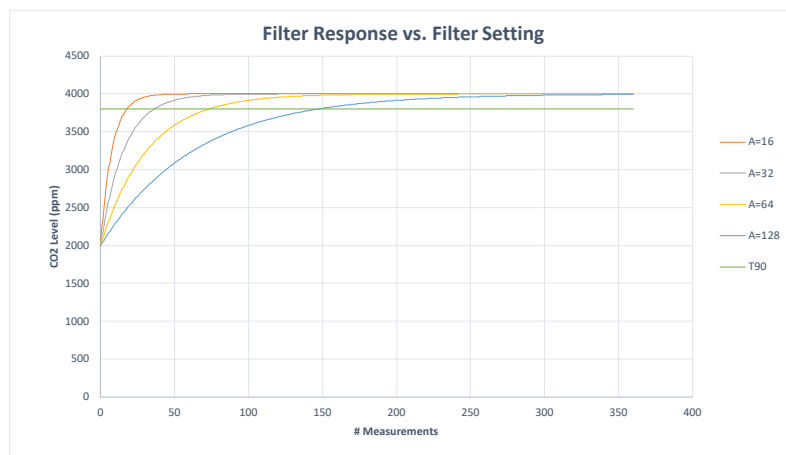
## High Speed CO<sub>2</sub> Sensor

### DIGITAL FILTER

The CO<sub>2</sub> gas chamber is illuminated with a nominal 4.25um wavelength LED and the signal received using a photodiode. The signal from the photodiode is processed and filtered by the sensor to remove noise and provide an accurate CO<sub>2</sub> reading. High frequency noise coming from the sampling process is removed using a proprietary lowpass filter. The digital filter setting can be varied, allowing the user to reduce measurement noise at the expense of the measurement response time. The ideal digital filter setting is application specific and is normally a balance between CO<sub>2</sub> reading accuracy and response time. The SprintIR®-W sensor will also output the raw unfiltered CO<sub>2</sub> measurement data. This data can be post processed using alternative filter algorithms.



The graph above shows the effects of the filter on the CO<sub>2</sub> measurement data (Z or z). The unfiltered output is shown in orange and the filtered output shown in blue.



The graph above shows the effect of the filter on response times. Increasing the filter setting increases the measurement output response time. T<sub>90</sub> is the time to 90% of reading. The SprintIR®-W takes 20 readings per second. The flow rate was set at 0.2l/min.

## High Speed CO<sub>2</sub> Sensor

---

Sampling noise is progressively reduced with higher digital filter settings. It is recommended the user sets the highest value digital filter setting without compromising the required flow rate.

Flow Rate	Recommended Digital Filter Setting 'a'
0.1litre/minute	64
0.5litre/minute	32
1litre/minute	16
5litre/minute	8

## High Speed CO<sub>2</sub> Sensor

---

### ZERO POINT SETTING

There are a several methods available to the user to set the zero point of the sensor. The recommended method is zero-point setting in a known gas concentration. In all cases, the best zero is obtained when the gas concentration is stable, and the sensor is at a stabilised temperature.

Note that zero-point settings are not cumulative and only the latest zero-point setting is effective. For example, there is no benefit in zeroing in nitrogen, and then zeroing in a calibration gas. The sensor will store only the latest zero point.

To improve zeroing accuracy, the recommended digital filter setting is 32. See the 'A' command.

### ZERO IN A KNOWN GAS CONCENTRATION

Place the sensor in a known gas concentration, power up the sensor and allow time for the sensor temperature to stabilise, and for the gas to be fully diffused into the sensor.

Send the **ZERO IN A KNOWN GAS CONCENTRATION** command X to the sensor. The sensor will be zeroed using the known gas concentration level sent by the user. The concentration value written to the sensor must be scaled dependent on the sensor CO<sub>2</sub> measurement range. The multiplier for the scaling factor is set according to the range of the sensor, see the '.' command.

### ZERO IN NITROGEN

Place the sensor in nitrogen gas and allow time for the sensor temperature to stabilise and the gas to be fully diffused into the sensor. Send the **ZERO IN NITROGEN** command U to the sensor. The sensor is calibrated assuming a 0ppm CO<sub>2</sub> environment.

### ZERO IN FRESH AIR

If there is no calibration gas or nitrogen available, the sensor zero point can be set in fresh air. Ambient CO<sub>2</sub> concentrations in fresh air are typically 400ppm. The CO<sub>2</sub> concentration fresh air zero level is programmable over a range from 0ppm to the full scale of the sensor.

Place the sensor in a fresh air environment and allow time for the sensor temperature to stabilise, and for the fresh air to be fully diffused into the sensor. Power up the sensor, write the G command to the sensor. The concentration value written to the sensor must be scaled dependent on the sensor CO<sub>2</sub> measurement range. The sensor can use the default fresh air CO<sub>2</sub> concentration value (400ppm), or the user can write a different fresh air value to the sensor if desired.

### ZERO POINT ADJUSTMENT

If the CO<sub>2</sub> concentration and the sensor reported concentration are known, the zero point can be adjusted using the known concentration to fine tune the zero point. For example, if the sensor has been in an environment that has been exposed to outside air, and the sensor reading is known at



## High Speed CO<sub>2</sub> Sensor

---

that time, the zero point can be fine-tuned to correct the reading. This is typically used to implement automated zeroing routines.

The known CO<sub>2</sub> concentration value and the reported CO<sub>2</sub> value from the sensor can be sent to the sensor using the **ZERO POINT ADJUSTMENT** command F.

### AUTO-ZERO FUNCTION

The sensor has a built-in auto-zeroing function. In order to function correctly, the sensor must be exposed to typical background levels (400-450ppm) at least once during the auto-zeroing period. For example, many buildings will drop quickly to background CO<sub>2</sub> levels when unoccupied overnight or at weekends. The auto-zeroing function uses the information gathered during these periods to re-zero. The sensor will reset the 'zero' level every time it does an auto-zero. Auto-zeroing is enabled by default. If the sensor is powered down, the auto-zero is reset to default values.

The auto-zero function works in the same way as the **ZERO IN FRESH AIR** command. Auto-zeroing is disabled by default, but can be enabled to operate automatically, or zeroing can be forced. The user can also independently adjust the CO<sub>2</sub> level used for auto-zeroing. Typically, it is set to the same value as the **ZERO IN FRESH AIR** value, but it can also be set at a different level if desired.

### AUTO-ZERO INTERVALS

The auto-zeroing period can be programmed by the user. The sensor can be programmed to undertake an initial auto-zero after power-on. Thereafter, the auto-zero period can be set independently of the start-up zeroing time. Note, the zeroing settings are reset if the sensor is powered down.

### AUTO-ZERO SETTINGS

By default, the sensor will automatically 'zero' using the measured CO<sub>2</sub> level sampled during the auto-zeroing period. The user can alter the behaviour of the sensor as a result of the auto-zero process.

## High Speed CO<sub>2</sub> Sensor

---

### PRESSURE AND CONCENTRATION LEVEL COMPENSATION

NDIR gas sensors detect the concentration of gas by measuring the degree of light absorption by the gas analyte. The degree of light absorption is converted into a concentration reported by the sensor.

The absorption process is pressure and gas concentration dependent. In general, as the pressure increases, the reported gas concentration also increases. As the pressure decreases, the reported concentration decreases. This effect takes place at a molecular level and is common to all NDIR gas sensors.

GSS sensors are calibrated at 1013mbar and 450ppm CO<sub>2</sub>. The reading will vary due to pressure and CO<sub>2</sub> concentration. It is possible to correct for the effects of pressure and concentration by setting a compensation value. This will apply a permanent correction to the output of the sensor, depending on the compensation value. The compensation value needs to be written to the sensor and will overwrite the default 1013mbar and 450ppm CO<sub>2</sub> value. The new compensation value will be used for all subsequent measurements and will be retained after a power cycle.

### ALTITUDE COMPENSATION TABLE

Altitude (ft.)	Altitude (m)	Pressure (mbar)	Sea Level Difference	% Change per	CO <sub>2</sub> Measurement Change (%)	Compensation Value
0	0	1,013	0	0.14	0	8,192
500	153	995	18	0.14	3	8,398
1,000	305	977	36	0.14	5	8,605
1,500	458	960	53	0.14	7	8,800
2,000	610	942	71	0.14	10	9,006
2,500	763	925	88	0.14	12	9,201
3,000	915	908	105	0.14	15	9,396
3,500	1,068	891	122	0.14	17	9,591
4,000	1,220	875	138	0.14	19	9,775
4,500	1,373	859	154	0.14	22	9,958
5,000	1,525	843	170	0.14	24	10,142
6,000	1,830	812	201	0.14	28	10,497
7,000	2,135	782	231	0.14	32	10,841
8,000	2,440	753	260	0.14	36	11,174
9,000	2,745	724	289	0.14	40	11,506
10,000	3,050	697	316	0.14	44	11,816

Other compensation values can be calculated using the following formula.

$$\text{Compensation Value} = 8192 + \left( \frac{\text{Sea Level Difference} * 0.14}{100} \right) * 8192$$

## High Speed CO<sub>2</sub> Sensor

---

The pressure compensation values calculated above are only approximate and only valid for concentrations below 1%. For higher accuracy compensation, the sensor output must be adjusted for both pressure and concentration as the CO<sub>2</sub> level measured by the sensor is affected by both ambient pressure and gas concentration levels. To calculate the adjusted CO<sub>2</sub> level, use the following calculation.

$$\text{Corrected CO}_2 \text{ Value} = \frac{\text{CO}_2 \text{ Measurement Value from Sensor (C1)}}{1 + Y(1013 - P)}$$

where,

C1 = Concentration reading from sensor

P = Pressure in mbar

Where concentration is < 1500ppm.

$$Y = 2.6661 \times 10^{-16} x C1^4 - 1.1146 \times 10^{-12} x C1^3 + 1.7397 \times 10^{-9} x C1^2 - 1.2556 \times 10^{-6} x C1 - 9.8754 \times 10^{-4}$$

Where concentration is >1500ppm.

$$Y = 2.811 \times 10^{-38} x C1^6 - 9.817 \times 10^{-32} x C1^5 + 1.304 \times 10^{-25} x C1^4 - 8.126 \times 10^{-20} x C1^3 + 2.311 \times 10^{-14} x C1^2 - 2.195 \times 10^{-9} x C1 - 1.471 \times 10^{-3}$$

## High Speed CO<sub>2</sub> Sensor

---

### CONTROL INTERFACE

The SprintIR® family of sensors are controlled by writing and reading from the sensor via its UART interface. The Rx\_In and Tx\_Out pins are normally high, suitable for direct connection to a UART. If the sensor is to be read by a true RS232 device (e.g. a PC), it is necessary to pass through a level converter to step up/down the voltage and invert the signal.

### CONTROL INTERFACE TIMING - UART MODE

PARAMETER	SYMBOL	MIN	TYP	MAX	UNIT
Baud Rate			9600		Bits/s
Data Bits			8		
Parity			None		
Stop Bits			1		
Hardware Flow Control			None		

### UART COMMAND PROTOCOL

All UART commands must be terminated with a carriage return and line feed <CR><LF>, hex 0x0D 0x0A. In this document, this is shown as '\r\n'. UART commands that take a parameter always have a space between the letter and the parameter. The sensor will respond with a '?' if a command is not recognised. The two most common causes are missing spaces or missing <CR><LF> terminators.

All command communications are in ASCII and are terminated by carriage return, line feed (0x0D 0x0A). This document uses the protocol "\r\n" to indicate the carriage return line feed. All responses from the sensor, including measurements, have a leading space (ASCII character 32).

The character '#' represents an ASCII representation of a numeric character (0-9). Note there is a space between the first letter and any parameter. For example, the X command reads "X space 2000 carriage return line feed".

### UART OPERATION

When initially powered, the sensor will immediately start to transmit a CO<sub>2</sub> reading on receiving any character.

The CO<sub>2</sub> measurement is reported as:

*Z #####\r\n*

where *Z #####* shows the CO<sub>2</sub> concentration.

Note that all outputs from the sensor have a leading space.

## High Speed CO<sub>2</sub> Sensor

**UART INTERFACE SUMMARY**

Syntax	Use	Example	Response	Comments
A ###\r\n	Set value of the digital filter	A 128\r\n	A 00128\r\n	See <b>"Digital Filter"</b>
a\r\n	Return the value of the digital filter	a\r\n	a 00128\r\n	See <b>"Digital Filter"</b>
F #####\r\n	Fine Tune the zero point	F 410 400\r\n	F 33000\r\n	See <b>"Zero Point Setting"</b>
G\r\n	Zero-point setting using fresh air	G\r\n	G 33000\r\n	See <b>"Zero Point Setting"</b>
H\r\n	Returns the relative humidity value		H 00551\r\n	
K #\r\n	Switches the sensor between different modes	K 1\r\n	K 1\r\n	
M #####\r\n	Sets the number of measurement data types output by the sensor	M 6\r\n	M 6\r\n	See <b>"Measurement Data Outputs"</b>
P 0 ###\r\n P 1 #\r\n	Sets the CO <sub>2</sub> reading for maximum voltage output level	P 0 19\r\n P 1 136\r\n		Two byte value, P 0 = MSB P 1 = LSB  5000ppm in the example
P 8 ###\r\n P 9 #\r\n	Sets value of CO <sub>2</sub> background concentration in ppm for auto-zeroing	P 8 1\r\n P 9 144\r\n		Two-byte value, P 8 = MSB P 9 = LSB  400ppm in the example
P 10 ###\r\n P 11 #\r\n	Sets value of CO <sub>2</sub> background concentration in ppm used for zero-point setting in fresh air.	P 10 1\r\n P 11 144\r\n		Two-byte value, P 10 = MSB P 11 = LSB  400ppm in the example
Q\r\n	Reports the latest measurement data types, as defined by 'M'	Q\r\n	H 12345 T 12345 Z 00010\r\n	
S #####\r\n	Sets the pressure and concentration compensation value	S 8192\r\n	S 08192\r\n	See <b>"Pressure and Concentration Compensation"</b>
s\r\n	Returns the pressure and concentration compensation value	s\r\n	s 08192\r\n	See <b>"Pressure and Concentration Compensation"</b>
T\r\n	Returns the temperature value		T 01224\r\n	
U\r\n	Zero-point setting using nitrogen	U\r\n	U 33000\r\n	See <b>"Zero Point Setting"</b>

## High Speed CO<sub>2</sub> Sensor

Syntax	Use	Example	Response	Comments
u #####\r\n	Manual setting of the zero point.	u 32997\r\n	u 32997\r\n	See <b>“Zero Point Setting”</b>
X #####\r\n	Zero-point setting using a known gas calibration	X 2000\r\n	X 32997\r\n	See <b>“Zero Point Setting”</b>
Y\r\n	Return firmware version and sensor serial number	Y\r\n	Returns <u>two</u> lines	
Z\r\n	Return the most recent filtered CO <sub>2</sub> measurement in ppm	Z\r\n	Z 01521\r\n	
z\r\n	Return the most recent unfiltered CO <sub>2</sub> measurement in ppm	z\r\n	Z 01521\r\n	
@ #.#.#\r\n	Sets the timing for initial and interval auto-zeroing periods	@ 1.0 8.0\r\n	@ 1.0 8.0\r\n	See <b>“Auto-zeroing”</b> for details
@ r\r\n	Returns the auto-zeroing configuration	@ 1.0 8.0\r\n	@ 1.0 8.0\r\n	See <b>“Auto-zeroing”</b> for details
@ #r\r\n	Switch auto-zeroing on or off	@ 0\r\n	@ 0\r\n	See <b>“Auto-zeroing”</b> for details
.\r\n	Returns the scaling factor multiplier required to convert the Z or z output to ppm	.\r\n	. 00010\r\n	Multiply by 10 in the example

## High Speed CO<sub>2</sub> Sensor

---

### CO<sub>2</sub> LEVEL MEASUREMENT VALUE - Z INFORMATION (0x5A)

<b>Description</b>	Reports the latest filtered CO <sub>2</sub> measurement
<b>Syntax</b>	ASCII Character 'Z', terminated by 0x0D 0x0A (CR & LF)
<b>Example</b>	Z\r\n
<b>Response</b>	Z 00521\r\n

This value needs to be multiplied by the appropriate scaling factor to derive the ppm value. See the '.' command.

### CO<sub>2</sub> LEVEL MEASUREMENT VALUE - z INFORMATION (0x7A)

The sensor is also capable of reporting the real time unfiltered CO<sub>2</sub> measurement value.

<b>Description</b>	Reports the unfiltered CO <sub>2</sub> measurement
<b>Syntax</b>	ASCII Character 'z', terminated by 0x0D 0x0A (CR & LF)
<b>Example</b>	z\r\n
<b>Response</b>	z 00521\r\n

### '.' COMMAND (0x2E)

To calculate the measurement value in ppm, the 'Z' or 'z' value, they must be converted into ppm by using the '.' multiplier factor. This multiplier will depend on the full-scale measurement range of the sensor. The multiplier is related to the full-scale range of the sensor.

The multiplier must also be used when sending CO<sub>2</sub> concentration levels to the sensor, for example when setting the fresh air CO<sub>2</sub> concentration value. The '.' Command can also be used to read back the scaling factor.

For example, if the user wants to zero the sensor in a known concentration of gas (e.g. 450ppm), the value written to the sensor must be 450/scaling factor.

<b>Description</b>	Returns a number indicating what multiplier must be applied to the Z CO <sub>2</sub> measurement output to convert it into ppm.
<b>Syntax</b>	ASCII character '.', terminated by 0x0D 0x0A ( CR & LF )
<b>Example</b>	.\r\n
<b>Response</b>	. 00010\r\n (this number is variable, usually 10)

Measurement Range of Sensor	CO <sub>2</sub> Measurement Scaling Factor (Z)	CO <sub>2</sub> Measurement Output Units	Example
0 – 60%	10	ppm/10	Z 01200 = 12,000ppm = 1.2%
0 – 100%	100	ppm/100	Z 01500 = 150,000ppm = 15%

## High Speed CO<sub>2</sub> Sensor

### TEMPERATURE MEASUREMENT VALUE - SprintIR®-W Option

Command	Use	Example	Response	Comments
T\r\n	Returns the most recent temperature measurement.	T #####\r\n	T 01224\r\n	Where ##### is a 5-digit number.  Temperature (°C) = (##### - 1000)/10.  22.4°C in the example

<b>Description</b>	Returns the most recent temperature measurement.
<b>Syntax</b>	ASCII character 'T', SPACE, decimal, terminated by 0x0D 0x0A ( CR & LF )
<b>Example</b>	T\r\n
<b>Response</b>	T 01224\r\n (this number is variable)

### HUMIDITY MEASUREMENT VALUE - SprintIR®-W Option

Command	Use	Example	Response	Comments
H\r\n	Return the most recent humidity measurement.	H #####\r\n	H 00551\r\n	Where ##### is a 5-digit number.  Humidity (%RH) = #####/10.  55.1% RH in the example

<b>Description</b>	Returns the most recent the humidity measurement.
<b>Syntax</b>	ASCII character 'H', SPACE, decimal, terminated by 0x0D 0x0A ( CR & LF )
<b>Example</b>	H\r\n
<b>Response</b>	H 00551\r\n (this number is variable)

Note both temperature and humidity outputs are a factory fit option on the SprintIR®-W only. If not fitted, sensor will return either T 00000 or H 00000.

The sensor default data output is filtered CO<sub>2</sub> only. To output temperature, humidity, and filtered CO<sub>2</sub>, send "M 4164\r\n" (see "**Measurement Data Outputs**").

The output format will have the form: *H 00345 T 01195 Z 00065\r\n*

This example indicates 34.5% RH, 19.5°C and 650ppm CO<sub>2</sub>.



## High Speed CO<sub>2</sub> Sensor

---

### CO<sub>2</sub> ANALOGUE OUTPUT COMMAND

<b>Description</b>	Sets the CO <sub>2</sub> reading for maximum voltage output level. Typically set to sensor full scale value. Value is scaled by CO <sub>2</sub> value multiplier, see '.' command.
<b>Syntax</b>	ASCII character 'P', SPACE, then 0, SPACE, then MSB terminated by 0x0D 0x0A (CR & LF)  ASCII character 'P' then a space, then 1, then a space, then LSB terminated by 0x0D 0x0A (CR & LF)
<b>Example</b>	P 0 19\r\n P 1 136\r\n
<b>Response</b>	P 00000 00019\r\n P 00001 00136\r\n

The value is entered as a two-byte word, MSB first.

MSB = Integer (Scale/256)

LSB = Scale – (256\*MSB)

In the above example, the scale is being set to 5000ppm

MSB = Integer (5000/256) = 19

LSB = 5000 – (256\*19) = 136

The analogue output is turned ON when a valid output value is set. To turn off the analogue output, set P0 and P1 to zero.

## High Speed CO<sub>2</sub> Sensor

---

### K COMMAND

Command	Use	Default	Range	Example	Response	Comments
K #\r\n	Switches the sensor between different control modes	1		K 1\r\n	K 1\r\n	<i>See 'K' Commands</i>

### K COMMAND (0x4B)

<b>Description</b>	Sets the control interface mode					
<b>Syntax</b>	ASCII character 'K', SPACE, mode number, terminated by 0x0D 0x0A (CR & LF)					
<b>Example</b>	K 1\r\n					
<b>Response</b>	K 00001\r\n (this number is variable)					

### DIGITAL FILTER COMMANDS

Command	Use	Default	Range	Example	Response	Comments
A ###\r\n	Set value of the digital filter	16	0 - 65535	A 16\r\n	A 00016\r\n	
a\r\n	Return value of digital filter		0 - 65535	a\r\n	a 00016\r\n	

### A COMMAND (0x41)

<b>Description</b>	Set the value for the digital filter					
<b>Syntax</b>	ASCII character 'A', SPACE, decimal, terminated by 0x0D 0x0A (CR & LF)					
<b>Example</b>	A 16\r\n					
<b>Response</b>	A 00016\r\n (this number is variable)					

### a COMMAND (0x61)

<b>Description</b>	Set the value for the digital filter					
<b>Syntax</b>	ASCII character 'A', SPACE, decimal, terminated by 0x0D 0x0A (CR & LF)					
<b>Example</b>	A 16\r\n					
<b>Response</b>	A 00016\r\n (this number is variable)					

## High Speed CO<sub>2</sub> Sensor

**ZERO POINT SETTING COMMANDS**

Command	Use	Default	Range	Example	Response	Comments
F ##### #####\r\n	Fine Tune the zero point		Range of sensor	F 410 400\r\n	F 33000\r\n	See <b>"Zero Point Setting"</b>
G\r\n	Zero-point setting using fresh air			G\r\n	G 33000\r\n	See <b>"Zero Point Setting"</b>
U\r\n	Zero-point setting using nitrogen			U\r\n	U 33000\r\n	See <b>"Zero Point Setting"</b>
u #####\r\n	Manual setting of the zero point			u 32997\r\n	u 32997\r\n	See <b>"Zero Point Setting"</b>
X #####\r\n	Zero-point setting using a known gas concentration		Range of sensor	X 2000\r\n	X 32997\r\n	See <b>"Zero Point Setting"</b>
P 8 ###\r\n P 9 #\r\n	Sets value of CO <sub>2</sub> background concentration in ppm for auto-zeroing	P 8 1\r\n P 9 144\r\n				Two-byte value, P 8 = MSB P 9 = LSB  400ppm in the example
P 10 ###\r\n P 11 #\r\n	Sets value of CO <sub>2</sub> background concentration in ppm used for zero- point zeroing in fresh air.	P 10 1\r\n P 11 144\r\n				Two-byte value, P 10 = MSB P 11 = LSB  400ppm in the example

**F COMMAND (0x46)**

<b>Description</b>	Calibrates the zero-point using a known reading and a known CO <sub>2</sub> concentration terminated by 0x0D 0x0A (CR & LF)
<b>Syntax</b>	ASCII character 'F', SPACE, then the reported gas concentration, SPACE, then the actual gas concentration, terminated by 0x0D 0x0A (CR & LF)
<b>Example</b>	F 41 39\r\n
<b>Response</b>	F 33000\r\n (the numbers are variable)

## High Speed CO<sub>2</sub> Sensor

---

### G COMMAND (0x47)

<b>Description</b>	Sets the zero point assuming the sensor is in fresh air (typically 400ppm CO <sub>2</sub> , but level can be set by user – see P commands.)
<b>Syntax</b>	ASCII character 'G' terminated by 0x0D 0x0A (CR & LF)
<b>Example</b>	G\r\n
<b>Response</b>	G 33000\r\n (the number is variable)

### U COMMAND (0x55)

<b>Description</b>	Sets the zero point assuming the sensor is in 0ppm CO <sub>2</sub> such as nitrogen.
<b>Syntax</b>	ASCII Character 'U' terminated by 0x0D 0x0A (CR & LF)
<b>Example</b>	U\r\n
<b>Response</b>	U 32767\r\n (the number is variable)

### u COMMAND (0x75)

<b>Description</b>	Forces a specific zero set point value. Input value is scaled by CO <sub>2</sub> value multiplier, see '.' command.
<b>Syntax</b>	ASCII character 'u', SPACE, then the gas concentration, terminated by 0x0D 0x0A (CR & LF)
<b>Example</b>	u 32767\r\n
<b>Response</b>	u 32767\r\n

### X COMMAND (0x58)

<b>Description</b>	Sets the zero point with the sensor in a known concentration of CO <sub>2</sub> . Input value is scaled by CO <sub>2</sub> value multiplier, see '.' command.
<b>Syntax</b>	ASCII character 'X', SPACE, then the gas concentration, terminated by 0x0D 0x0A (CR & LF)
<b>Example</b>	X 1000\r\n
<b>Response</b>	X 33000\r\n (the number is variable).

### P COMMAND - CO<sub>2</sub> Level for Auto-Zeroing

<b>Description</b>	Sets the value of CO <sub>2</sub> in ppm used for auto-zeroing. Input value is scaled by CO <sub>2</sub> value multiplier, see '.' command.
<b>Syntax</b>	ASCII character 'P', SPACE, then 8, SPACE, then MSB terminated by 0x0D 0x0A (CR & LF)  ASCII character 'P' then a space, then 9, then a space, then LSB terminated by 0x0D 0x0A (CR & LF)
<b>Example</b>	P 8 0\r\n P 9 40\r\n
<b>Response</b>	p 8 0\r\n p 9 40\r\n

## High Speed CO<sub>2</sub> Sensor

---

The value is entered as a two-byte word, MSB first.

MSB = Integer (Concentration/256)

LSB = Concentration – (256\*MSB)

In the above example, target CO<sub>2</sub> background concentration is 400ppm.

MSB = Integer (400/256) = 1

LSB = 400 – 256 = 144

### P COMMAND – CO<sub>2</sub> Level for Zero-Point Setting

<b>Description</b>	Sets value of CO <sub>2</sub> in ppm for zero-point setting in fresh air. Input value is scaled by CO <sub>2</sub> value multiplier, see '.' command.
<b>Syntax</b>	ASCII character 'P', SPACE, then 10, SPACE, then MSB terminated by 0x0D 0x0A (CR & LF)  ASCII character 'P', SPACE, then 11, SPACE, then LSB terminated by 0x0D 0x0A (CR & LF)
<b>Example</b>	P 10 7\r\n P 11 208\r\n
<b>Response</b>	p 10 7\r\n p 11 208\r\n

MSB = Integer (Concentration/256)

LSB = Concentration – (256\*MSB)

In the above example, target zero-point CO<sub>2</sub> concentration is 2000ppm.

MSB = Integer (2000/256) = 7

LSB = 2000 – (256\*MSB) = 208

## High Speed CO<sub>2</sub> Sensor

---

### AUTO-ZEROING INTERVALS

UART Command	Use	Default	Range	Example	Response	Comments
@ #.# #.#\r\n	Auto-zeroing interval settings			@ 1.0 8.0\r\n	@ 1.0 8.0\r\n	See "Auto-Zeroing" for details

### @ COMMAND (0x2E)

<b>Description</b>	Set the 'Initial Interval' and 'Regular Interval' for auto-zeroing events.
<b>Syntax</b>	ASCII character '@', SPACE, decimal, SPACE, decimal terminated by 0x0D 0x0A (CR & LF)
<b>Example</b>	@ 1.0 8.0\r\n
<b>Response</b>	@ 1.0 8.0\r\n (the number mirrors the input value)

Both the initial interval and regular interval are given in days. Both must be entered with a decimal point and one figure after the decimal point. In the above example, the auto-zeroing interval is set to 8 days, and the initial interval set to 1 day.

To disable auto-zeroing, send @ 0\r\n.

To determine the auto-zero configuration, send @\r\n.

## High Speed CO<sub>2</sub> Sensor

---

**PRESSURE AND CONCENTRATION COMPENSATION**

UART Command	Use	Default	Range	Example	Response	Comments
S #####\r\n	Sets the pressure and concentration compensation value	8192	0-65536	S 8192\r\n	S 08192\r\n	See <i>“Pressure and Concentration Compensation”</i>
s\r\n	Returns the pressure and concentration compensation value			s\r\n	s 08192\r\n	See <i>“Pressure and Concentration Compensation”</i>

**S COMMAND (0x53)**

<b>Description</b>	Set the 'Pressure and Concentration Compensation' value
<b>Syntax</b>	ASCII character 'S', SPACE, decimal, terminated by 0x0D 0x0A (CR & LF)
<b>Example</b>	S 8192\r\n
<b>Response</b>	S 8192\r\n (the number mirrors the input value)

**s COMMAND (0x73)**

<b>Description</b>	Reports the 'Pressure and Concentration Compensation' value.
<b>Syntax</b>	ASCII Character 's', terminated by 0x0D 0x0A (CR & LF)
<b>Example</b>	s\r\n
<b>Response</b>	s 8192\r\n

## High Speed CO<sub>2</sub> Sensor

---

### MEASUREMENT DATA OUTPUTS

The sensor can send multiple fields of data as a single string. Up to five data fields can be transmitted, programmable by the user. The number of fields and the type of data to be transmitted is defined by the “Mask Value” setting.

The output data format is as follows. Each field is identified by the Data Field Identifier character, followed by a space, followed by the five-digit number indicating the value of the parameter.

Data Parameter	Data Field Identifier	Mask Value	Description
Humidity	H	4096	Humidity value of the environment around the sensor
D digitally filtered	d	2048	Reports a value related to the normalized LED signal strength (smoothed)
D unfiltered	D	1024	Reports a value related to the normalized LED signal strength
Zero Set Point	h	256	Reports a value related to the normalized LED signal strength
Sensor Temperature (unfiltered)	V	128	Reports a value that varies inversely with the sensor temperature.
Temperature	T	64	Reports a true temperature value of the environment around the sensor
LED Signal (digitally filtered)	o	32	Reports a value that gives an indication of the LED signal strength (smoothed)
LED Signal (unfiltered)	O	16	Reports a value that gives an indication of the LED signal strength.
Sensor Temperature (filtered)	v	8	Reports a value that varies inversely with the sensor temperature. (smoothed)
CO <sub>2</sub> Output (Filtered)	Z	4	Filtered CO <sub>2</sub> reading
CO <sub>2</sub> Output (Unfiltered)	z	2	Raw CO <sub>2</sub> reading, unfiltered

UART Command	Use	Default	Range	Example	Response	Comments
M #####\r\n	Sets the number of measurement data types output by the sensor. ##### is the mask value	M 00006\r\n		See “Output Fields”	M #####\r\n	Sets the number of measurement data types output by the sensor



## High Speed CO<sub>2</sub> Sensor

---

The required mask value is the sum of the 'Mask Value' for each field required. To output filtered and unfiltered CO<sub>2</sub> data, set M=6.

### M COMMAND

<b>Description</b>	Sets the type and number of data outputs
<b>Syntax</b>	ASCII character 'M', SPACE, up to 5 digit number, terminated by 0x0D 0x0A (CR & LF)
<b>Example</b>	M 00006\r\n
<b>Response</b>	M 00006\r\n

### Q COMMAND

<b>Description</b>	Reports the latest output data fields defined by 'M'
<b>Syntax</b>	ASCII character 'Q', terminated by 0x0D 0x0A (CR & LF)
<b>Example</b>	Q\r\n
<b>Response</b>	H 12345 T 12345 Z 00010\r\n

## High Speed CO<sub>2</sub> Sensor

### SERIAL NUMBER AND FIRMWARE VERSION

UART Command	Use	Default	Range	Example	Response	Comments
Y\r\n	Return firmware version and sensor serial number			Y\r\n	Returns <u>two</u> lines	

### Y COMMAND (0x59)

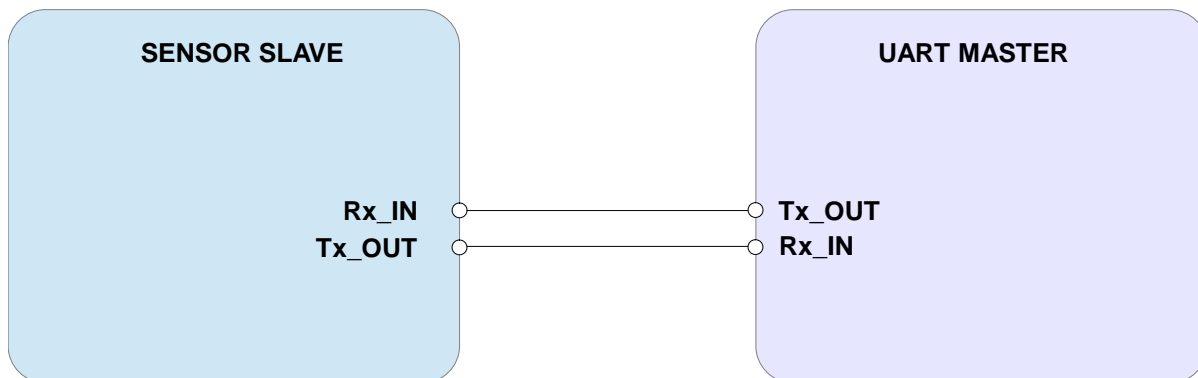
<b>Description</b>	The present version string for the firmware and serial number of the sensor.
<b>Syntax</b>	ASCII character 'Y', terminated by 0x0d 0x0a (CR & LF)
<b>Example</b>	Y\r\n
<b>Response</b>	Y,Aug 25 2021,14:19:56,LP15132 B 528148 00000  Where;  Aug 25 2021,14:19:56 is the firmware compile date and time LP15132 is the firmware revision 528148 is the sensor ID

N.B. This command returns two lines split by a carriage return line feed and terminated by a carriage return line feed. This command requires that the sensor has been stopped (see 'K' command).

## High Speed CO<sub>2</sub> Sensor

---

### CONNECTION DIAGRAM FOR UART INTERFACE



## High Speed CO<sub>2</sub> Sensor

---

### IMPORTANT NOTICE

Gas Sensing Solutions Ltd. (GSS) products and services are sold subject to GSS's terms and conditions of sale, delivery and payment supplied at the time of order acknowledgement. GSS warrants performance of its products to the specifications in effect at the date of shipment. GSS reserves the right to make changes to its products and specifications or to discontinue any product or service without notice.

Customers should therefore obtain the latest version of relevant information from GSS to verify that the information is current. Testing and other quality control techniques are utilised to the extent GSS deems necessary to support its warranty. Specific testing of all parameters of each device is not necessarily performed unless required by law or regulation. In order to minimise risks associated with customer applications, the customer must use adequate design and operating safeguards to minimise inherent or procedural hazards. GSS is not liable for applications assistance or customer product design. The customer is solely responsible for its selection and use of GSS products. GSS is not liable for such selection or use nor for use of any circuitry other than circuitry entirely embodied in a GSS product.

GSS products are not intended for use in life support systems, appliances, nuclear systems or systems where malfunction can reasonably be expected to result in personal injury, death or severe property or environmental damage. Any use of products by the customer for such purposes is at the customer's own risk.

GSS does not grant any licence (express or implied) under any patent right, copyright, mask work right or other intellectual property right of GSS covering or relating to any combination, machine, or process in which its products or services might be or are used. Any provision or publication of any third party's products or services does not constitute GSS's approval, licence, warranty or endorsement thereof. Any third-party trademarks contained in this document belong to the respective third-party owner.

Reproduction of information from GSS datasheets is permissible only if reproduction is without alteration and is accompanied by all associated copyright, proprietary and other notices (including this notice) and conditions. GSS is not liable for any unauthorised alteration of such information or for any reliance placed thereon.

Any representations made, warranties given, and/or liabilities accepted by any person which differ from those contained in this datasheet or in GSS's standard terms and conditions of sale, delivery and payment are made, given and/or accepted at that person's own risk. GSS is not liable for any such representations, warranties or liabilities or for any reliance placed thereon by any person.

### ADDRESS

Gas Sensing Solutions Ltd.  
Grayshill Road  
Cumbernauld  
G68 9HQ  
United Kingdom